

KWC

Swiss Water Experience

KWC
ONO





Pure perfection





KWC ONO appeals to your appreciation for all things practical – and to your sophistication. That is why this simple faucet for the bathroom and kitchen is not only designed to be extra robust, but also has an exceptionally fine finish. KWC ONO ably assists you with its intelligent functions, yet it is always the perfect picture of elegance.

**High-tech and highly flexible**

The innovative highflex®spring hose opens your kitchen door to the future. This hose, designed as a sweeping curve, can be moved in any direction, returns to its original position automatically and stays firmly in place when it is not being used – even without a spray holder.

Sure and steady

When you press the lever on the KWC ONO highflex® spray head, the integrated vacuum diversion switches from the Neoperl® spray of the aerator to the needle spray of the spray head.



Perfect precision



Direct and precise

The KWC ONO operating level is made of the kind of unbreakable, corrosion-resistant stainless steel you would normally find in medical technology. This means that you can count on perfect precision when you use it.

One way or another

Just one press of the diverter button on the shower head is all it takes to switch from a full Neoperl® spray to a fine needle spray.

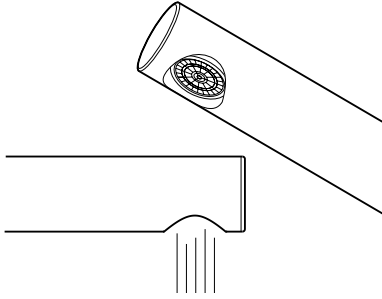




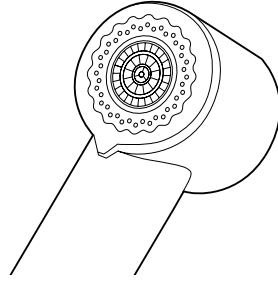
Intelligent versatility



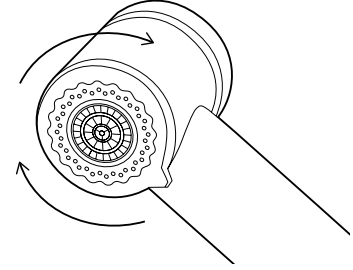
This pull-out aerator has both brains and style. It can extend up to 70 cm if you pull it out, but otherwise retires politely and seamlessly back into the spout.

**Neoperl® Caché®**

The Neoperl® Caché® is integrated in the spout and adds an elegant touch to the overall look.

**jetclean**

The jetclean faceplate prevents limescale from building up on your kitchen spray and does some of your cleaning work for you. When water is flowing, the cone-shaped holes on the faceplate expand, dislodging any limescale deposits. The holes go back to their normal size when the water flow is switched off.

**turn and clean (tac)**

If limescale deposits build up on the faceplate of your faucet, the turn and clean fastening mechanism will come to your aid: simply turn, clean and the job is done.



A technological masterpiece



KWC ONO touch light PRO makes every important element seem simple, leaving you to focus on the essential issues in the kitchen and bathroom. This clever faucet takes the benefits offered by the electronically operated KWC ONO and enhances them with a touch of sophistication and an even greater dose of technological intelligence.

More information can be found in the «KWC ONO touch light PRO» brochure and at www.kwc.com.





Lever mixer
– Swivel spout 270°

10.151.023.000FL all chrome
A 225
10.151.023.700FL stainless steel
A 225

Flow rate 12 l/min (3 bar)



Lever mixer
– Surgical-grade hardened stainless steel lever
– Pull-out aerator
– up to 700 mm pull-out length
– hose surface to fit faucet surface
– Hose guide, swivelling 105°

10.151.113.000FL all chrome
A 225
10.151.113.700FL stainless steel
A 225

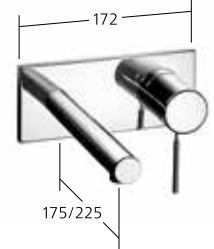
Flow rate 10 l/min (3 bar)



Lever mixer
– Surgical-grade hardened stainless steel lever
– Pull-out spray with KWC jetclean
– up to 700 mm pull-out length
– automatic diverter reset
– hose surface to fit faucet surface
– Hose guide, swivelling 105°

10.151.033.000FL all chrome
A 220
10.151.033.700FL stainless steel
A 220

Flow rate normal spray 12 l/min (3 bar)
Flow rate needle spray 13 l/min (3 bar)

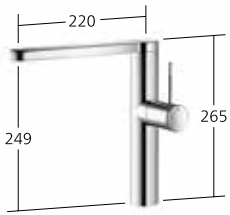


Lever mixer
– Fixed spout

11.152.033.000 all chrome
A 175, concealed
11.152.034.000 all chrome
A 225, concealed

To be ordered separately:
Unit for concealed installation 1/2"
39.151.400.931
Trim kit **Z.536.828**

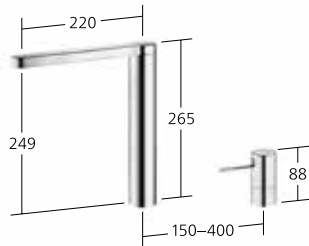
Flow rate 7,5 l/min (3 bar)



Lever mixer
– Lever installation possible on the right or left side
– Swivel spout 360°

10.151.413.000FL all chrome
A 220
10.151.413.700FL stainless steel
A 220

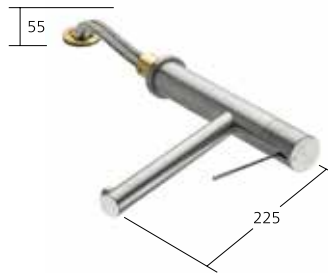
Flow rate 11 l/min (3 bar)



Lever mixer
– 2-hole
– Swivel spout 360°

10.152.413.000FL all chrome
A 220

Flow rate 12 l/min (3 bar)



Lever mixer
– Detachable for installation below windows – detached 55 mm
– Swivel spout 270°

10.151.043.700FL stainless steel
A 225

Flow rate 11 l/min (3 bar)



Lever mixer
– Detachable for installation below windows – detached 55 mm
– Surgical-grade hardened stainless steel lever
– Intrinsically safe against backflow
– Pull-out spray with KWC jetclean
– up to 700 mm pull-out length
– hose surface to fit faucet surface
– Hose guide, swivelling 105°

10.151.053.700FL stainless steel
A 220

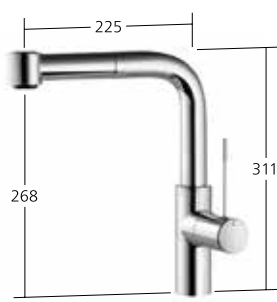
Flow rate normal spray 9 l/min (3 bar)
Flow rate needle spray 9 l/min (3 bar)



Lever mixer
 – Lever installation possible on the right or left side
 – Swivel spout 360°

10.151.013.000FL all chrome
 A 225

Flow rate 12 l/min (3 bar)



Lever mixer
 – Lever installation possible on the right or left side
 – Pull-out spray with KWC jetclean
 – up to 700 mm pull-out length
 – automatic diverter reset
 – hose surface to fit faucet surface
 – Hose guide, swivelling 360°

10.151.003.000FL all chrome
 A 225

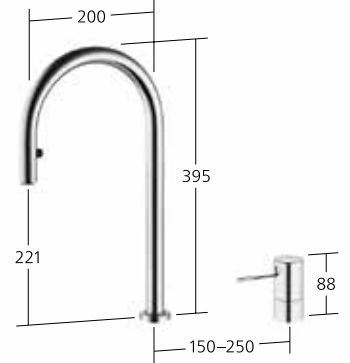
Flow rate normal spray 12 l/min (3 bar)
 Flow rate needle spray 13 l/min (3 bar)



Lever mixer
 – Lever installation possible on the right or left side
 – Pull-out aerator covered
 – up to 700 mm pull-out length
 – hose surface to fit faucet surface
 – Hose guide, swivelling 360°

10.151.102.000FL all chrome
 A 200
10.151.102.700FL stainless steel
 A 200

Flow rate 10 l/min (3 bar)



Lever mixer
 – 2-hole
 – Pull-out aerator covered
 – hose surface to fit faucet surface
 – Hose guide, swivelling 360°

10.152.322.000FL all chrome
 A 200

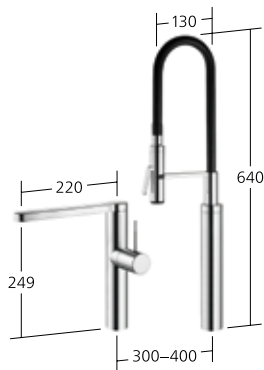
Flow rate 10 l/min (3 bar)



Lever mixer
 – highflex® patented spring hose technology
 – Lever installation possible on the right or left side
 – Swivel spout 360°
 – Professional spray 360° turn

10.151.423.000FL all chrome
 A 220
10.151.423.700FL stainless steel
 A 220

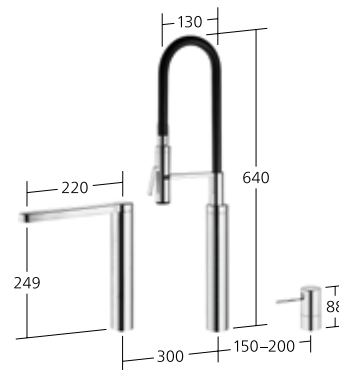
Flow rate 10 l/min (3 bar)
 Spray: Flow rate 3 l/min (3 bar)



Lever mixer
 – highflex® patented spring hose technology
 – 2-hole
 – Swivel spout 360°
 – Professional spray 360° turn

10.152.423.000FL chromeline
 A 220
10.153.423.000FL chromeline
 A 220

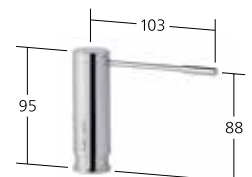
Flow rate 8 l/min (3 bar)
 Spray: Flow rate 3 l/min (3 bar)



Lever mixer
 – highflex® patented spring hose technology
 – 3-hole
 – Lever installation possible on the right or left side
 – Swivel spout 360°
 – Professional spray 360° turn

10.153.423.000FL all chrome
 A 220

Flow rate 8 l/min (3 bar)
 Spray: Flow rate 3 l/min (3 bar)



Accessories

Soap dispenser KWC ONO

Z.536.060.000 all chrome
Z.536.060.700 stainless steel

