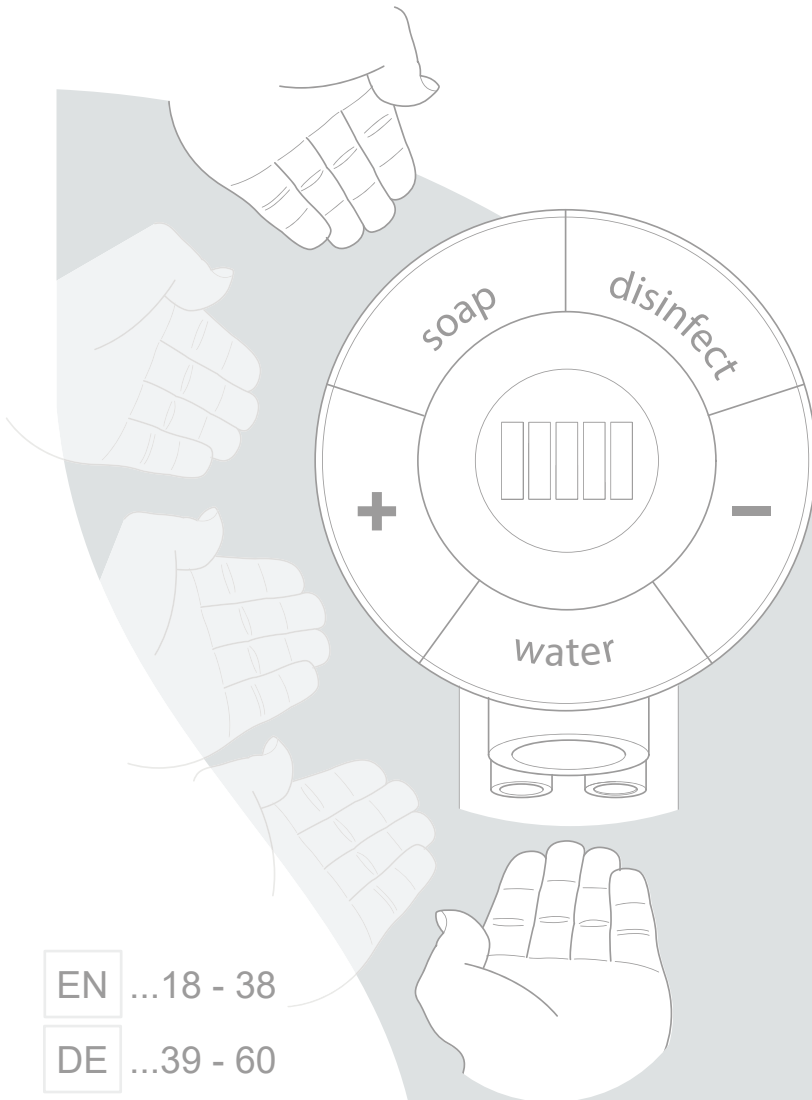




## Instruction manual

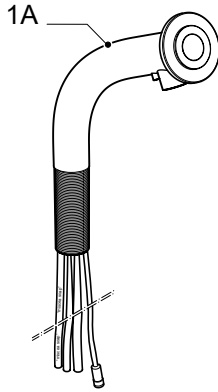
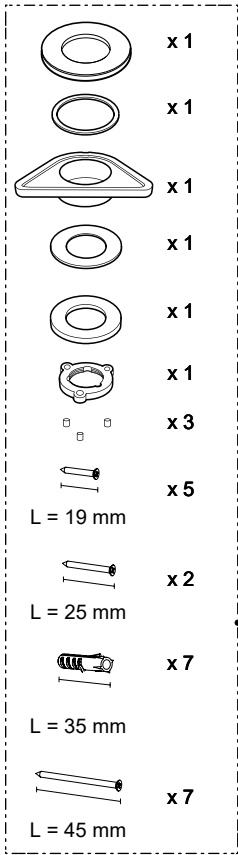


EN ...18 - 38

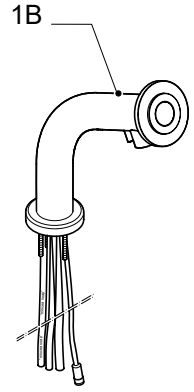
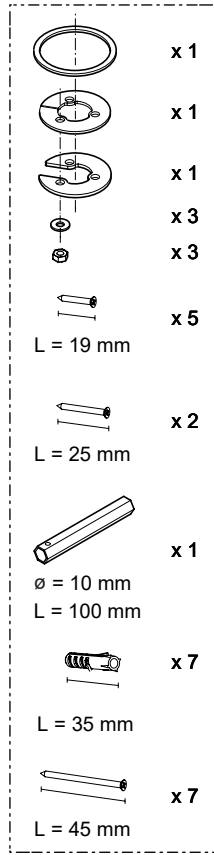
DE ...39 - 60

NL ...61 - 83

CLASSIC



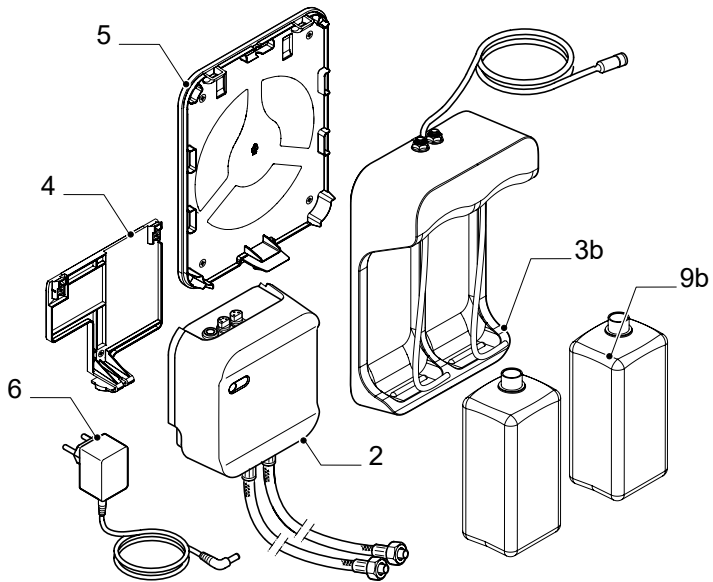
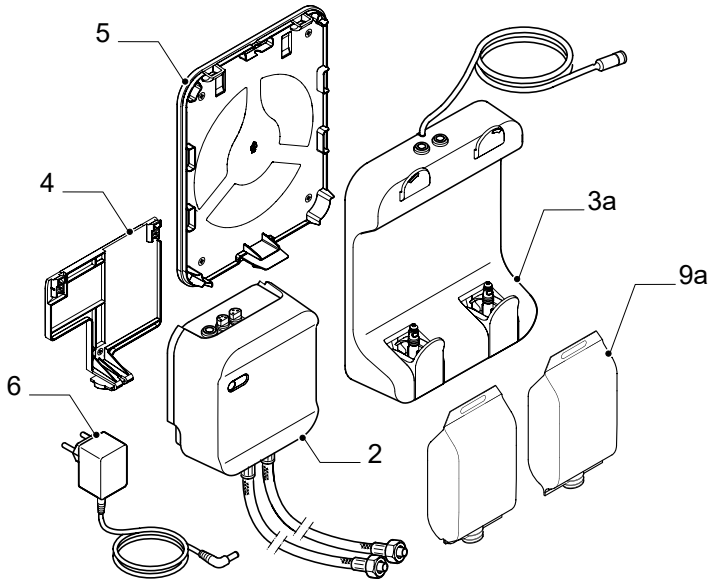
7A



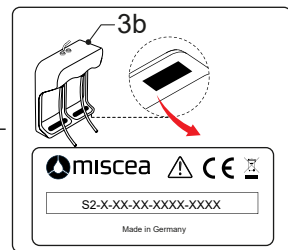
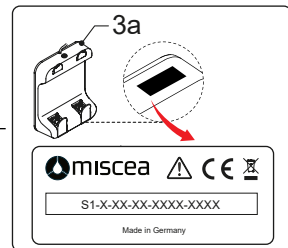
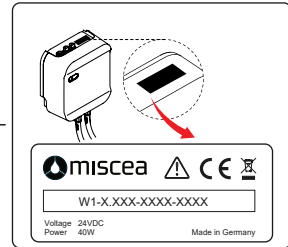
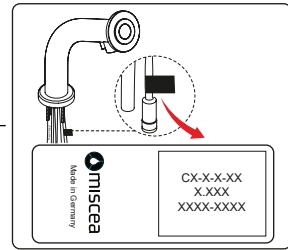
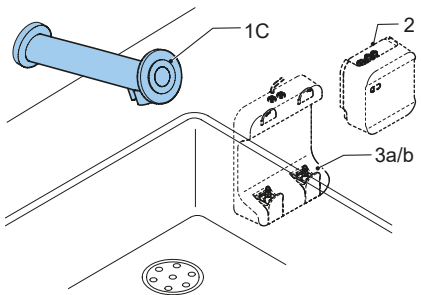
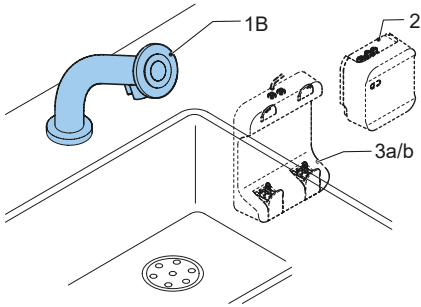
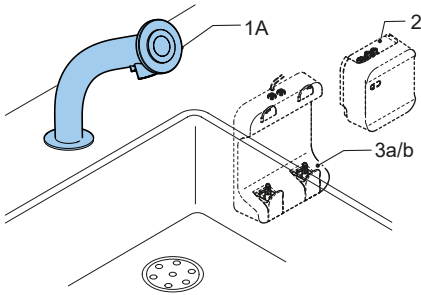
7B

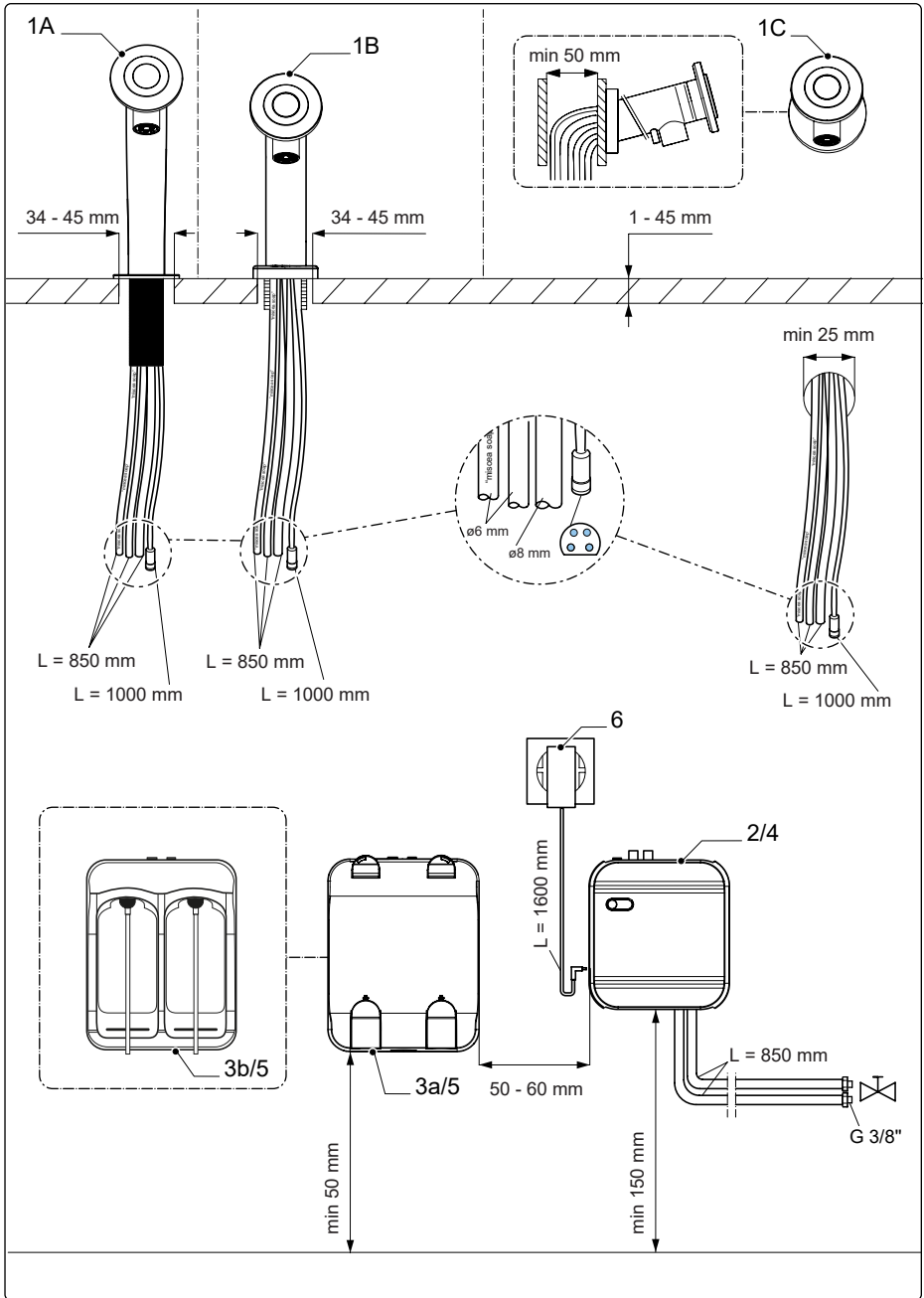
8



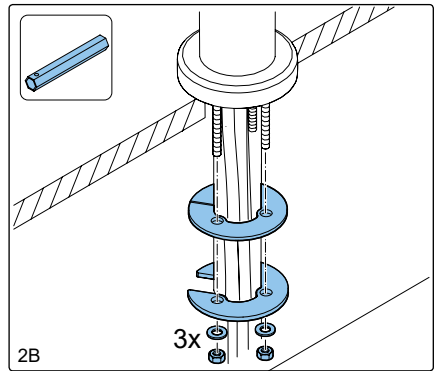
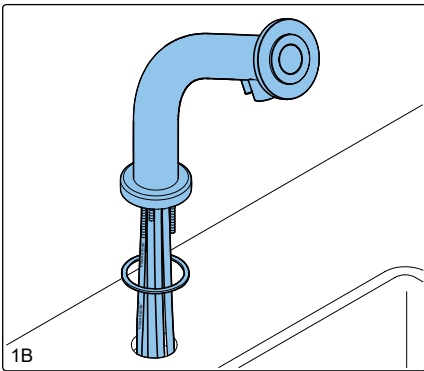
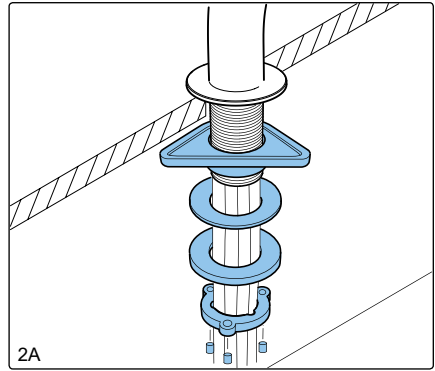
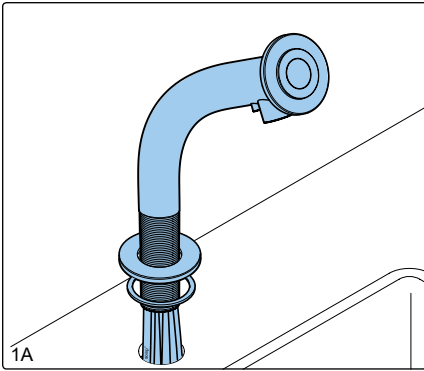


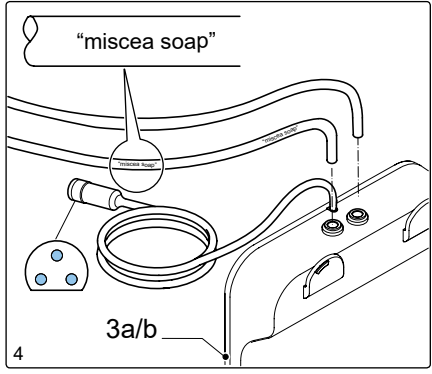
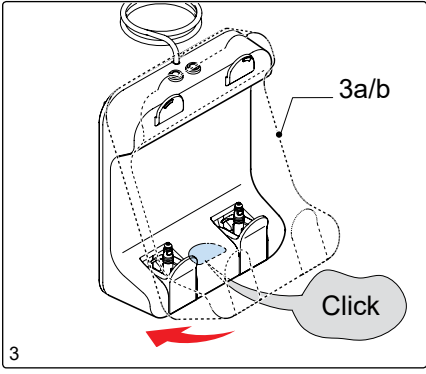
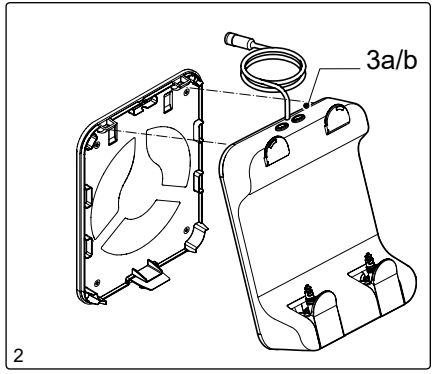
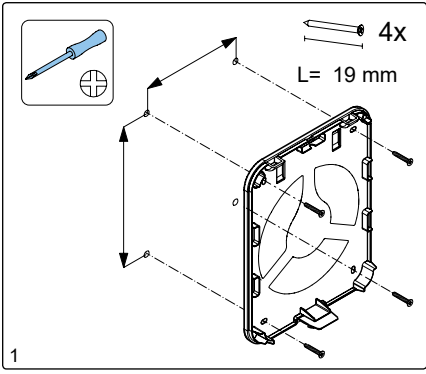
B

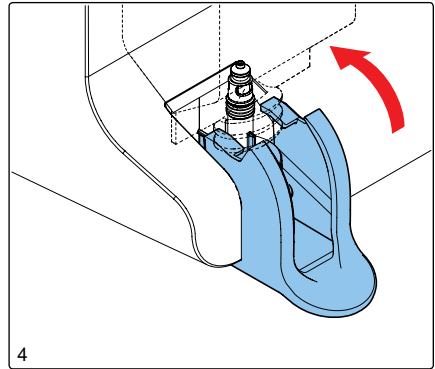
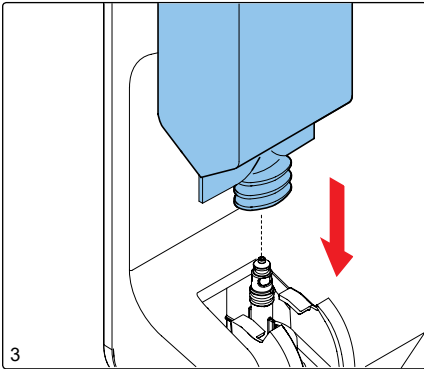
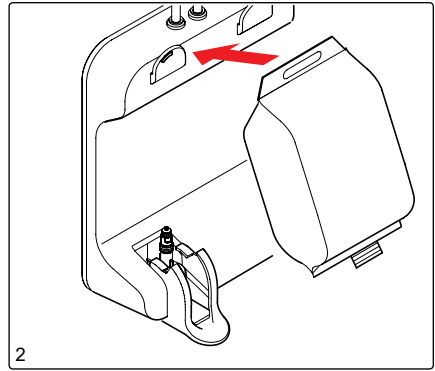
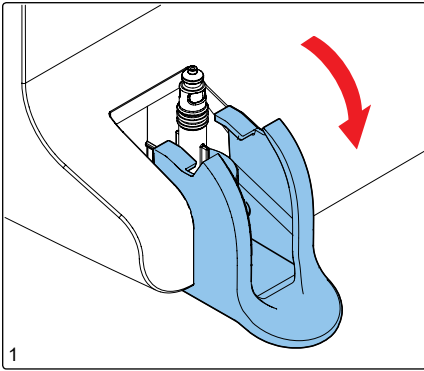




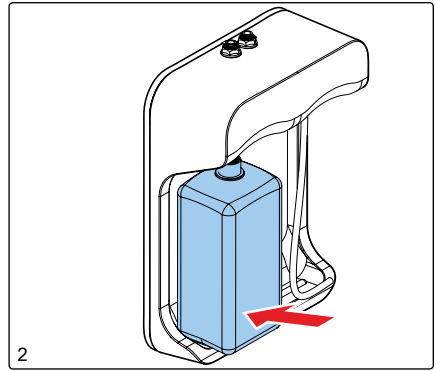
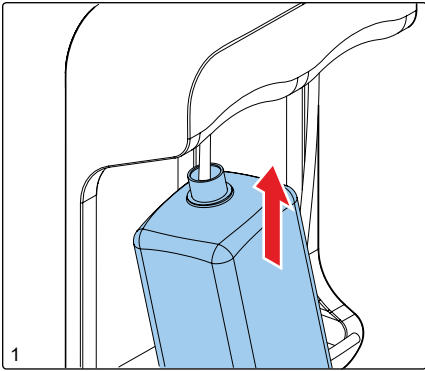
D

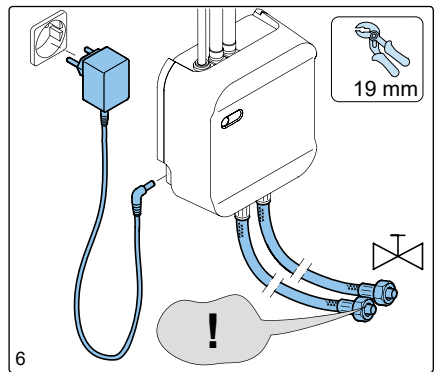
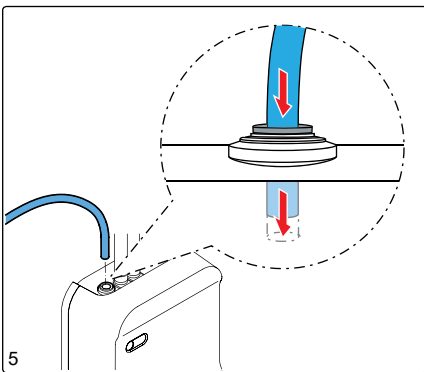
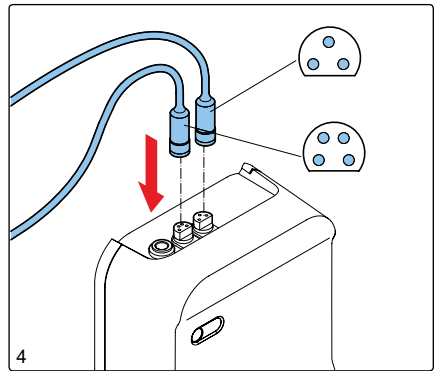
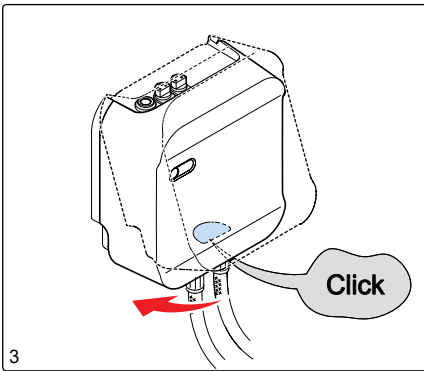
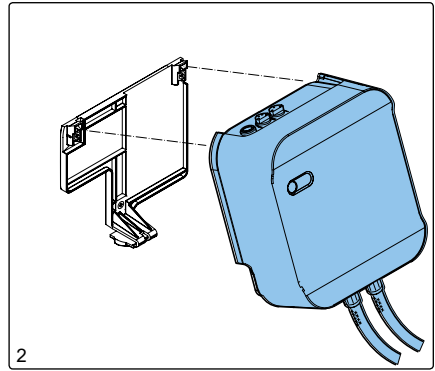
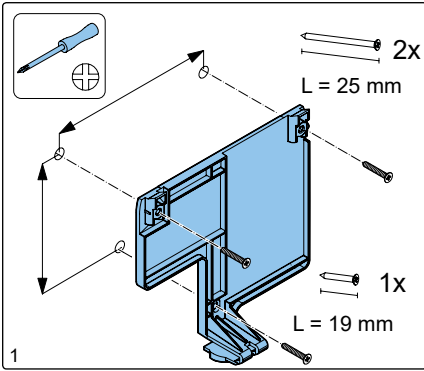






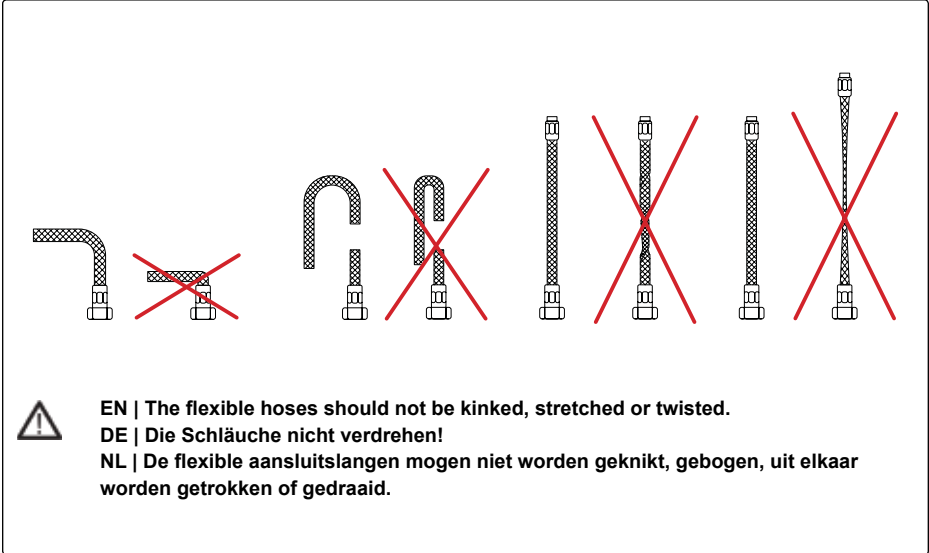


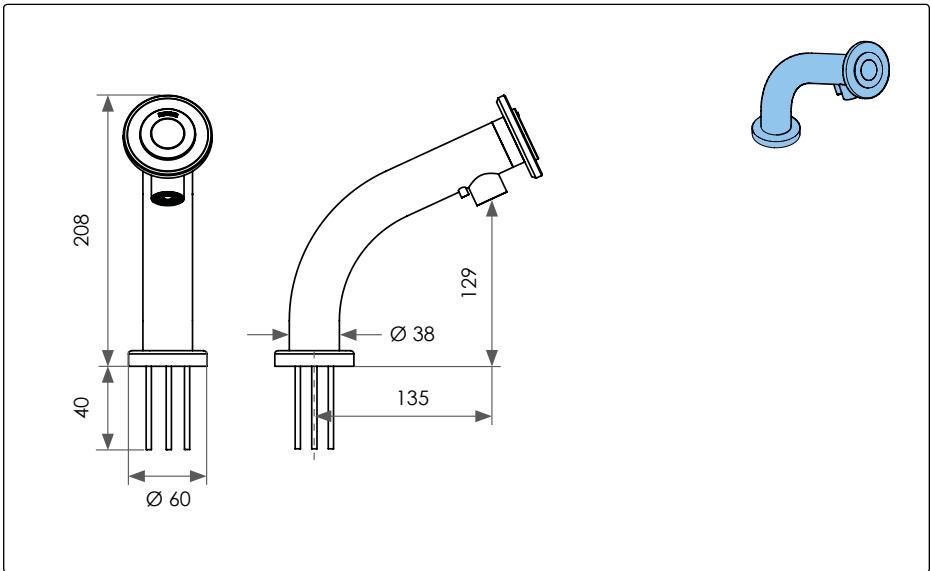
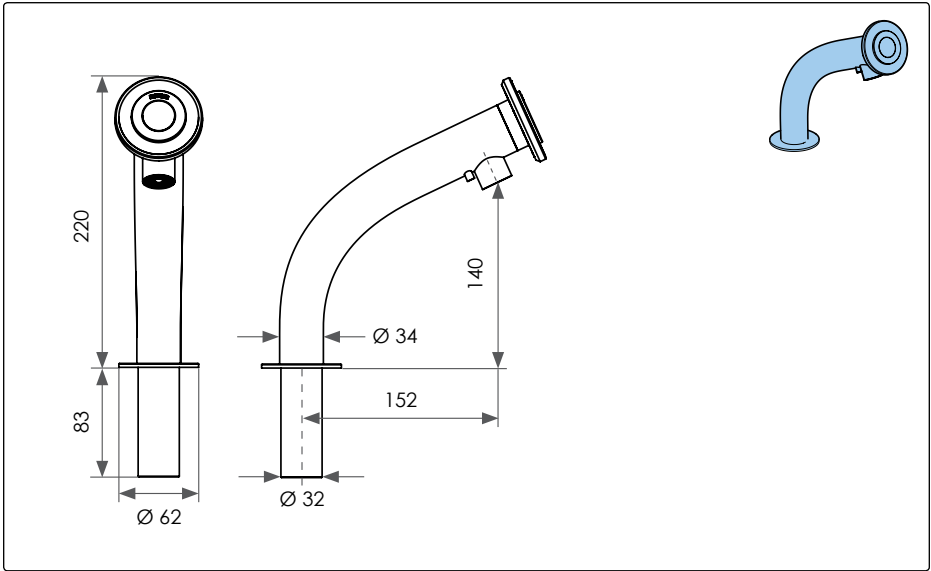


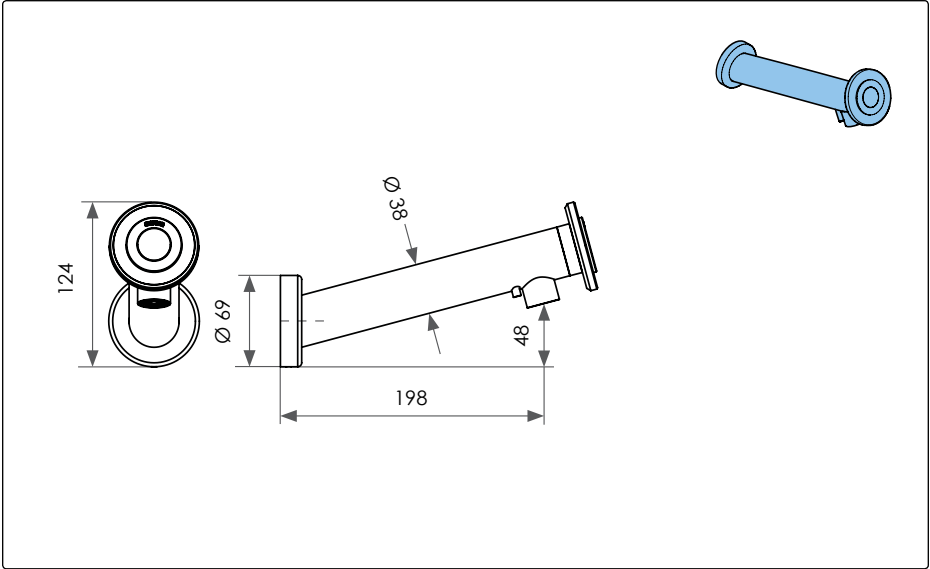


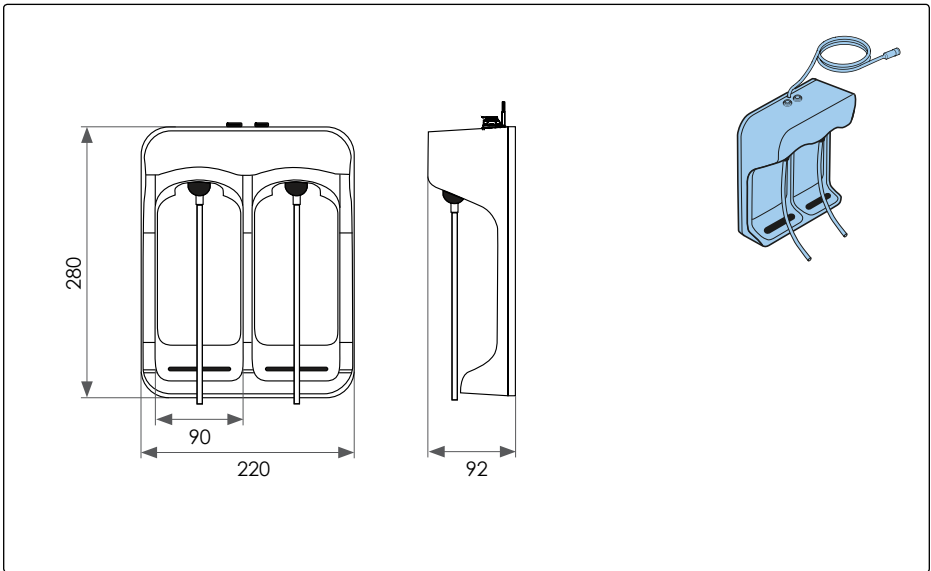
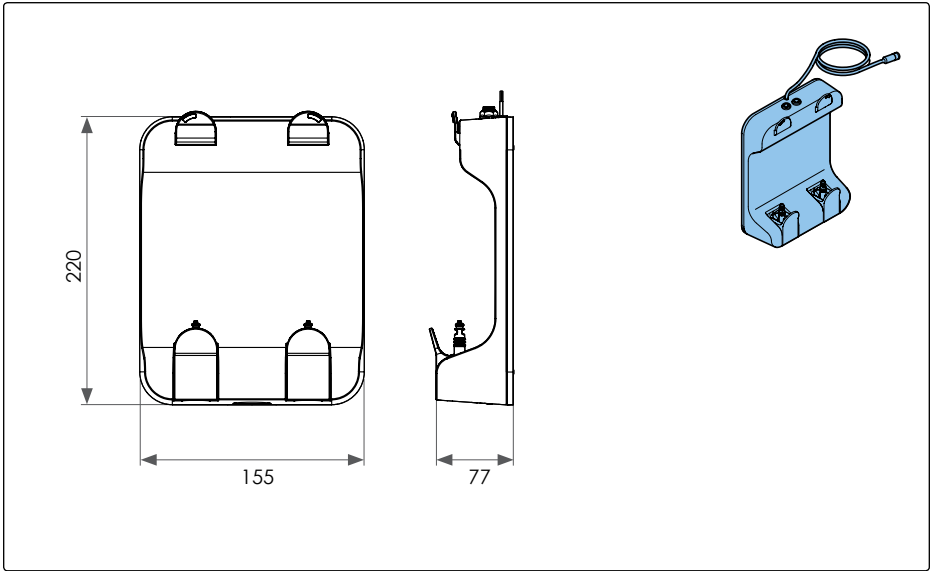


EN | Connect to water mains supply  
DE | Verbindung zum Eckventil  
NL | Aansluiten op het waternet

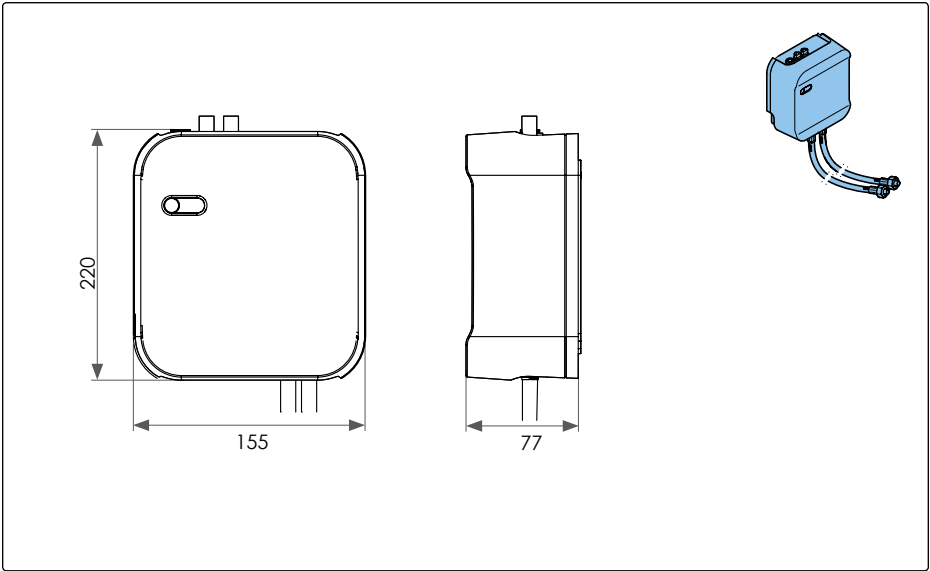








J04 - J05

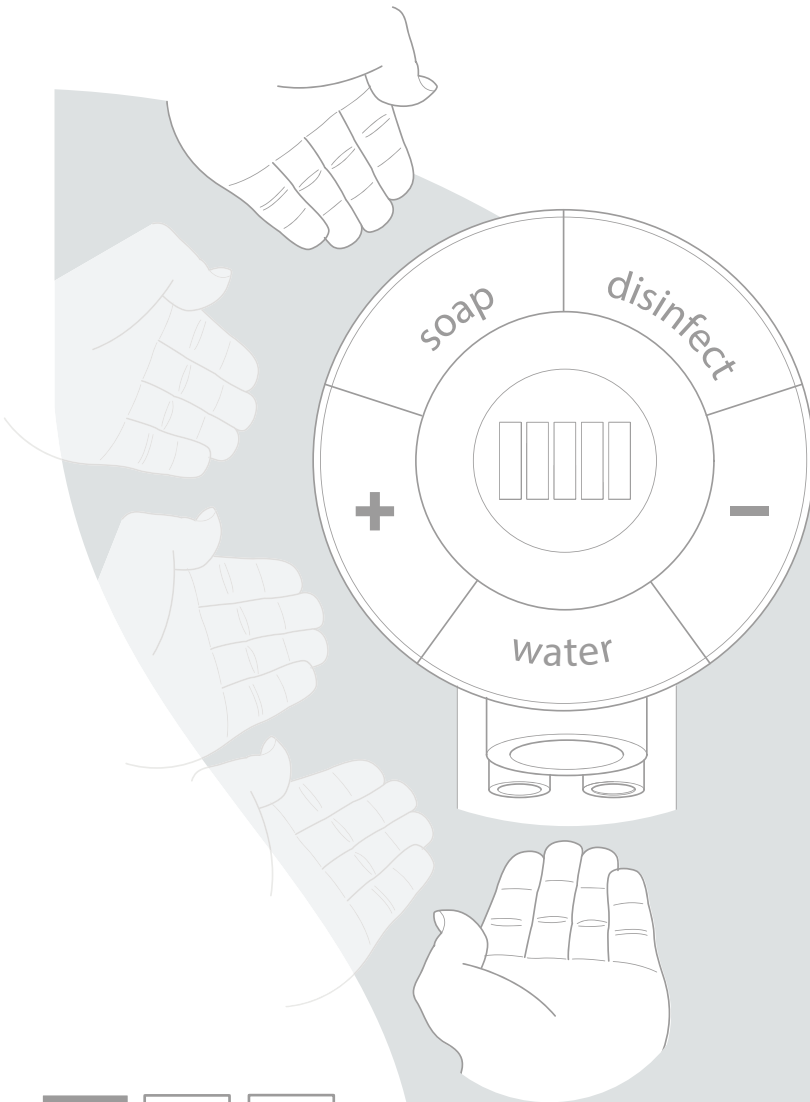








## Instruction manual



EN

DE

NL

CLASSIC



© 2017 miscea GmbH

No part of this publication may be reproduced, transmitted, transcribed, stored in any retrieval system or translated into any human or computer language by any means or in any form, without the prior written permission of miscea. Contravention of the owner's copyright may also reduce the ability of miscea to provide effective support for its equipment.

All technical information, data and instructions contained in this manual for operations that can and are to be performed, are up to date at the time of editing.

This manual contains our current knowledge and experience to the best of our understanding. We reserve the right to make technical modifications arising from further development of the miscea product presented in these operating instructions. For this reason, no claims may be derived from technical data, descriptions and illustrations.

miscea reserves the right to make changes without notice to both this manual and to its products described within this manual. Nothing in this manual represents any contractual or other commitment on the part of miscea and should not be taken as such. All possible care has been taken in the preparation of this publication. Contact miscea for suggestions of improvement. This manual is originally written in English. A copy is available on request.

Version: V17.04

## Table of contents

<b>1.</b>	<b>General</b>	<b>20</b>
1.1	About this manual	20
1.2	Labels in this manual	20
<b>2.</b>	<b>Package Contents</b>	<b>20</b>
<b>3.</b>	<b>Description</b>	<b>20</b>
3.1	Components	21
3.2	Identification of the product	21
3.3	Application areas	21
<b>4.</b>	<b>Installation</b>	<b>21</b>
4.1	Installing the system	22
<b>5.</b>	<b>Use</b>	<b>23</b>
5.1	Faucet head	23
5.2	Operating the system	23
5.3	Tapping water	23
5.4	Dispensing liquids	24
5.5	Optional accessories	25
5.6	Use the remote control with miscea CLASSIC system	25
<b>6.</b>	<b>Cleaning and maintenance</b>	<b>25</b>
6.1	Storage	25
6.2	Cleaning	26
6.3	Automatic spool cycle	26
6.4	Replacing the pouch / bottle	26
6.5	Priming the tubes	27
<b>7.</b>	<b>Refill Liquids Safety Information</b>	<b>27</b>
<b>8.</b>	<b>Technical Data</b>	<b>29</b>
8.1	Electrical Test Data	30
8.2	Electrical Specifications	30
8.3	Certifications and conformity	30
<b>9.</b>	<b>Warranty and information</b>	<b>32</b>
9.1	Warranty	32
9.2	Warranty conditions	32
9.3	Contact information	32
9.4	Updates of the manual	32
9.5	Environment and recycling	32
<b>10.</b>	<b>Service</b>	<b>33</b>

## 1. General

### 1.1 About this manual

This manual includes technical specifications, instructions and explanations that help to use the product safely. Read and understand these instructions before you transport, install, commission, restart, operate or perform maintenance on the product.

The illustrations, drawings and graphics in this manual may be different from the actual components. Contact your local supplier for questions that are not answered in this manual.

Keep this manual for future reference. Please pass these instructions on to the end user of the fitting!

### 1.2 Labels in this manual



#### **WARNING**

A warning means that injury or death is possible if the instructions are not followed.



#### **CAUTION**

A caution means that damage to the equipment is possible.



A note gives additional information, e.g. for a procedure.

## 2. Package Contents

Refer to fig. A and B for the identification of the package contents.

1. Faucet
2. Water box
3. Soap box
4. Mounting plate for water box (pre-mounted to the waterbox)
5. Mounting plate for soap box (pre-mounted to the soap box)
6. Power adapter
7. Set of fasteners and seals
8. Instruction manual
9. Refill Liquids

## 3. Description

The miscea CLASSIC hand hygiene system enables you to wash your hands without touching the system. The faucet head has different sectors with built-in infrared sensors. The functions can be activated by moving your hands in the detection zones of the sensors.

The following faucet models are available (refer to fig. C)

- 1A. Standard model
- 1B. Small model
- 1C. Wall mounted model

## 3. Description

### 3.1 Components

Refer to fig. C for the identification of the components.

1. Faucet (1A, 1B or 1C)
2. Water box
3. Soap box (3a or 3b)

### 3.2 Identification of the product

Refer to fig. C for the location of the product type labels.

### 3.3 Application areas

miscera systems can be used in conjunction with:

- Pressurized storage heaters
- Thermally controlled instantaneous heaters
- Hydraulically controlled instantaneous heaters

**Operation with low-pressure displacement water heaters is not possible.**

The miscera CLASSIC is certified according to EN1717, and is equipped with a DIN-DVGW tested one-way valves for back-flow prevention.

## 4. Installation



### CAUTION

- Do not open the water box or break the seal of the water box. If you do, the warranty becomes void.
- Do not connect the faucet to a water supply that has no strainer. If you do, the warranty becomes void.
- Do not install hoses when the faucet is switched on or when the power adapter is connected.
- Do not hold any object close to the faucet head when the calibration is in progress. This can block the light and interfere with the calibration.
- Do not install or store the faucet in a location that has the risk of frost damage.
- Be careful with the power cable of the faucet and the soap box. The connector at the end of each cable is fragile.
- Do not connect the water box of one set to the faucet of another set. There is a possibility that the system does not function properly.
- Make sure that the hoses for the liquids are correctly connected.
- Do not cut or kink the hoses.
- Only use the supplied materials to install the system. Only use the power adapter supplied with the system.
- Use only genuine replacement parts and accessories. The use of other parts will invalidate the warranty and CE marking and may result in personal injury.

## 4. Installation

- Avoid damage from defective power supply cables. In the case of damage, the plug-in power supply must be replaced by the manufacturer or his customer service or an equally qualified person.
- The enclosed plug-in power supply (plug type C) is only suitable for use with Schuko sockets (CEE 7/4).
- The miscea systems are only suitable for indoor use.
- Do not install if the product (power cord) is live.
- Make sure the surface on which the system is installed is strong enough to support the weight of the unit.
- Do not scratch, damage, manipulate, bend, twist or bundle the power cord, or place heavy objects on it or pinch it.
- Do not disassemble or modify the unit, which is not specifically described in this manual. This could result in fire, electric shock or injury.
- Do not use the system in a hot place, such as a shower where condensation may form on the appliance, or where water may spatter directly onto the appliance. This could result in fire, electric shock, or a malfunction.
- Use single-phase power with 220-240V.
- The miscea CLASSIC system components must be protected against mechanical damages, like heat and direct sunlight (maximum temperature is 50 degrees Celsius). Do not place near heat sources or open fire.



### CAUTION

Care must be taken that the system components are easily accessible for maintenance work.

- The screen seals that are fitted to the valve must be installed in order to prevent dirt from the pipeline.
- Open cold and hot water supply and check connections for leaks

### 4.1 Installing the system



### CAUTION

- Flush the water supply system thoroughly before installing the system (Observe DIN 1988 / DIN EN 806!). Be sure that the water supply is absolutely clean. Dirt and debris in the water can impair the function and / or damage the functional parts of the electrical appliance, miscea is not responsible for damages of this nature.



Install a shut-off valve between the water supply and the system. In case of maintenance or repair work to the system, the shut-off valve can be closed and it will not be necessary to shut off the water supply system.

- Refer to fig. D - I for the installation of the system. Assemble the system in the given order.

## 5. Use

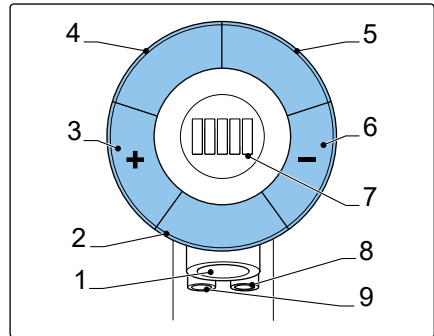


### CAUTION

- Make sure that the installation procedure is correctly executed before you use the faucet.
- Only use liquids and pouches that are approved by miscea.
- This device is not intended for use by persons (including children) with limited physical, sensory or mental abilities, as well as lack of experience and knowledge.
- Children must be supervised to ensure that they do not play with the appliance

### 5.1 Faucet head

1. Water outlet
2. Water tap sector
3. Water temperature sector (+)
4. Soap dispense sector
5. Disinfectant dispense sector
6. Water temperature sector (-)
7. Water temperature display
8. Disinfectant outlet
9. Soap outlet



### 5.2 Operating the system

Once the system has been connected to the mains power supply, the power is on. To indicate that the system is operational, the LED switch on the water box is on and the faucet head shows a pulsating white light.

#### Activating a sector

- To activate the water tap sector, hold your hand to a maximum of 15 cm distance from the sector.
- To activate any other sector, hold your hand to a maximum of 5 cm distance from the sector.

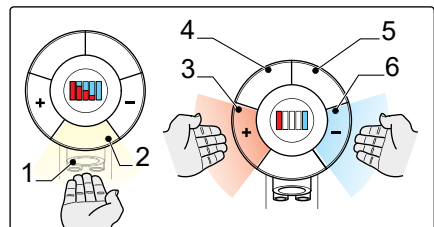
#### De-activating a sector

- Remove your hand away from the sector.
- In addition, you can quickly de-activate the dispense sectors by repeating the movement of the hand as described above.

### 5.3 Tapping water

#### Washing hands

- Activate sector 2.
- Hold your hands under the water outlet.
- The water flow stops automatically 1 second after you have pulled your hand away from the water flow.



## 5. Use



### CAUTION

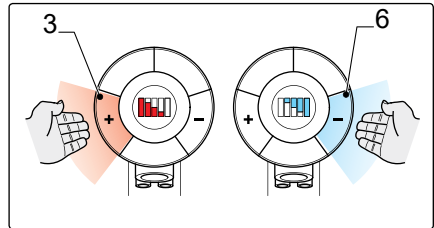
Always check the temperature before you place your hands in the water stream. Risk of burning your hands due to hot water.

#### Filling a bucket

- Place a container under the water outlet.
- Activate sector 3 & 6 at the same time for 1 second. The water starts flowing.
- The water flow stops automatically 10 minutes after the activation.
- To stop the water flow manually, hold your hand over sector 4 or 5 for 1 second.

#### Adjusting the water temperature

- Check the display for the actual temperature.
- To adjust the temperature:
  - Activate sector 3 to increase the temperature. The sector shows a red light.
  - Activate sector 6 to decrease the temperature. The sector shows a blue light.



You can adjust the water temperature whilst the water is flowing or when the system is in standby mode.

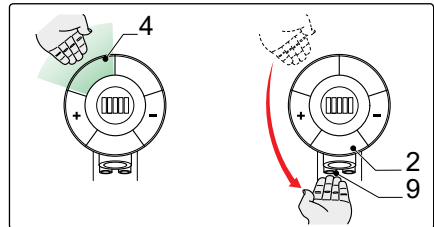


You can use one hand to adjust the temperature, and hold your other hand under the water flow to check the temperature.

### 5.4 Dispensing liquids

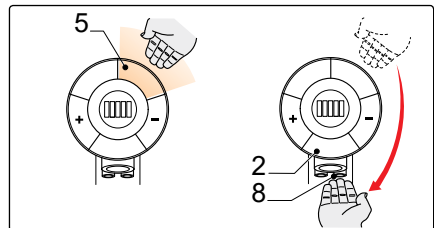
#### Dispensing soap

- Activate sector 4. The sector shows a pulsating green light.
- Activate sector 2 and hold your hand under outlet 9.



#### Dispensing lotion or disinfectant

- Activate sector 5. The sector shows a pulsating orange light.
- Activate sector 2 and hold your hand under outlet 8.





## 5. Use

### 5.5 Optional accessories

#### Remote control

With the remote control, you can change the default settings of the system. The settings include, but are not limited to the following: temperature, dosage, spool cycle, light pulse and resetting. For further information, please visit our website for the miscea representative in your country.

### 5.6 Use the remote control with miscea CLASSIC systems

The remote control signal is detected through the display screen in the faucet head. Position the remote control as shown in Fig. K and L below to operate. Then the desired settings can be changed.

For instructions on how to change specific settings using the remote control, please refer to the miscea Remote Control instruction manual.

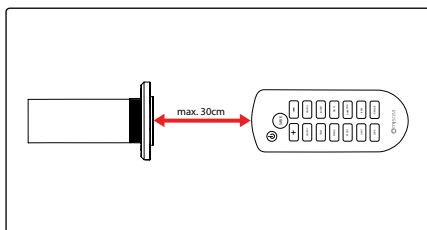


Fig. K

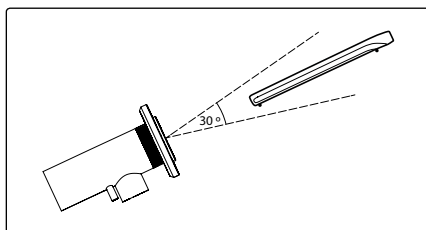


Fig. L

## 6. Cleaning and maintenance



#### CAUTION

- Do not try to repair the faucet, the water box or the soap box yourself. Only qualified miscea personnel are qualified to make repairs. If you make repairs yourself, the warranty becomes void.
- Do not clean the faucet with abrasives, strong acids or bleach products. If you do, the warranty becomes void.
- When cleaning, do not spray the device or plug directly or indirectly with water.



#### WARNING

Do not clean the system when it is switched on.

### 6.1 Storage

- Store the system in a dry place, out of reach of children.

## 6. Cleaning and maintenance

### 6.2 Cleaning

- Clean the system with a soft, clean cloth, water and a mild cleaning product.
- To remove dirt or scale:
  - Let white vinegar or all-purpose cleaner act on the system for a few minutes.
  - Wash the system with plenty of water.
  - Dry the system.
- Clean the water box and the soap box with a damp cloth.

In order to preserve the beauty of the high-quality surface, the following notes must be observed: chrome, brushed stainless steel surface, chrome-matt and color-coated surfaces are sensitive to acid and abrasive detergents and sponges.

If soiled or calcified, clean the fittings with soapy water or dilute a mild cleaning solution, rinse with clean water and dry. Damage caused by improper handling is not covered by the miscea warranty.

To ensure hygienic operation of your miscea system, we recommend following the procedures set out in the miscea Maintenance Manual. A copy of the maintenance manual can be found on the miscea website at [www.miscea.com](http://www.miscea.com). All the necessary cleaning tools and required parts are provided in the miscea SystemCare Set and can be ordered from your local miscea representative.

### 6.3 Automatic spool cycle

The automatic spool function is designed to prevent clogging of the soap and disinfectant tubes and to prevent the waterline from being infected by Legionella and other waterborne bacteria. The automatic spool function will initiate after a minimum amount of time the soap or disinfectant has not been in use. This has been set by default at 2 weeks.

If the soap or disinfectant has not been in use for 2 weeks, the system will perform the following steps on the liquid that was last used 2 weeks ago:

- Step 1: The soap or disinfectant pump will operate for 30 seconds
- Step 2: Cold water flows for 60 seconds

Note: It is possible to change the frequency of the auto spool function for more frequent water flushing, however it is not possible to change the frequency of the auto spool function for soap and disinfectant flushing.

### 6.4 Replacing the pouch / bottle

Once the system does not dispense soap, lotion or disinfectant anymore, the pouch / bottle needs to be replaced.

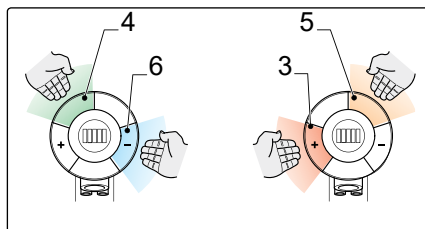
- Refer to fig. G / H for the correct installation of the pouch / bottle.

## 6. Cleaning and maintenance

### 6.5 Priming the tubes

After the installation of the pouches/bottles, the tubes need to be primed. When the procedure has been completed, the tubes are clean and free of air bubbles.

- Press the LED switch on the water box for 1 seconds. The LED starts blinking.
- To prime the soap tube: Activate sector 4 & 6 at the same time. Activate sector 5 to stop.
- To prime the lotion or disinfectant tube:
  - Activate sector 5 & 3 at the same time.
  - Activate sector 4 to stop.



## 7. Refill Liquid Safety Information

### Specific end use(s)

Skin and hand disinfectant products may not be used for any other purpose.

### Precautions for safe handling

- Disinfectant is a flammable medium as a liquid as well as a vapor. Vapors may form explosive mixture with air.
- Keep away from heat, hot surfaces, sparks, open flames and other ignition sources.
- When using, do not eat, drink or smoke.
- Keep out of reach of children
- Remove and wash contaminated clothes before re-use.
- Do not breath vapours or spray mist.
- Avoid contact with eyes.
- Ensure adequate ventilation, especially in confined areas.
- Special precautions for user: Take the usual precautions when handling chemicals.

### Conditions for safe storage, including any incompatibilities

- Disinfectant is classified as a dangerous good. Store liquids according to local storage regulations for dangerous goods.
- Keep container tightly closed in a dry, cool and well-ventilated place.
- Dispose of contents/containers in accordance with local and national regulations. Do not discharge into surface waters/groundwater.
- Keep product and empty container away from heat and sources of ignition.
- Keep away from food, drink and animal feeding stuffs.
- Incompatible with oxidizing agents.

## 7. Refill Liquid Safety Information

The following is general first aid information.

### **Most important symptoms and effects, both acute and delayed**

- causes serious eye irritation.
- May cause drowsiness or dizziness.
- Remove contaminated soaked clothing immediately.
- If you feel unwell, seek medical advice.

### **After inhalation**

- Move to fresh air in case of accidental inhalation of vapours.
- In the event of symptoms refer for medical treatment.

### **After contact with eyes**

- Rinse immediately and cautiously with plenty of water, also under the eyelids, for at least 15 minutes. Remove contact lenses, if present and easy to do so.
- If eye irritation persists, consult a specialist.

### **After ingestion**

- Immediately give plenty of water (if possible charcoal slurry).
- Summon a doctor immediately.
- Induce vomiting only upon the advice of a physician.

## 8. Technical data

The performance specifications as mentioned in the table below have been tested and certified.

### PERFORMANCE SPECIFICATIONS

Parameter	Value
Voltage	24 V <sub>DC</sub>
Input voltage	100 ~ 240 V <sub>AC</sub> / 50 ~ 60 Hz
Operating water pressure	0,5 - 8 bar
Max. water temperature	70 °C
Enclosure rating of PCB compartments	IP 55
Faucet weight (incl. hoses and cable)	Standard model: 1,0 kg Small model: 0,9 kg Wall-mounted model: 0,9 kg
Water box weight (incl. hoses)	1,75 kg
Soap box weight (excl. pouches)	0,95 kg

### DEFAULT SETTINGS

Parameter	Value
Response time of water flow stop	1 s
Dispense volume of soap	1 ml
Dispense volume of lotion or disinfectant	3 ml
Automatic spool cycle	2 weeks

### TRANSPORT & STORAGE

Parameter	Value
Transport weight	Standard model: 6,8 kg Small model: 6,7 kg Wall-mounted model: 6,7 kg
Dimensions packaging	47 cm x 30 cm x 20 cm
Storage temperature	10 - 50 °C

### DIMENSIONS

Component	Value
Faucet Standard model	Fig. J1
Faucet Small model	Fig. J2
Faucet Wall-mount model	Fig. J3
Soap box	Fig. J4 / J5
Water box	Fig. J6

## 8. Technical data

### 8.1 Electrical test Data

Rated shock voltage: 2000 V

The test for electromagnetic compatibility (interference emission test) was carried out with the rated voltage and the rated current.

### 8.2 Electrical Specifications

---

Connection	wall socket with protective conductor, protected by a 10 A fuse.
Max. Power consumption	36 W
Standby power dissipation	< 3.0 W
Test pressure of the valve	16 bar
Flow at 3 bar flow pressure. Tap (tap water)	6 L / min
Ambient temperature	10 - 40 °C temperature
Hot water inlet fitting	70 °C
Recommended (energy saving)	60 °C
Water connection fitting	cold - blue, warm - red

---

### 8.3 Certifications and Conformity



Declaration of conformity

EU-Richtlinien 93/68/EEC, 98/83/EC, 2006/95/EC, 89/336/EEC

Michiel Ubink, Managing Director of miscea GmbH, headquartered in Hauptstraße 2, 14979 Großbeeren, Germany hereby declares that the multifunctional faucet product family, known under the brand name miscea, is designed and manufactured in accordance with EU Directives (93/68 / EEC, 98/83 / EC, 2006/95 / EC, 89/336 / EEC) And in accordance with the following European standards.

Model numbers:

CCR1S1NCDE	CCR2S2NCEN	CER2S1NCEN	CER3S2NCFR	LCR1S12NBDE
CCR1S1NCEN	CCR2S2NCFR	CER2S1NCFR	KCR4S1NC	LCR1S12NCDE
CCR1S1NCFR	CCR3S1NCDE	CER2S2NCDE	KCR4S1NC0	LCR3S0NC
CCR1S2NCDE	CER1S1NCDE	CER2S2NCEN	KCR4S2NC	LCR3S11NCDE
CCR1S2NCEN	CER1S1NCEN	CER2S2NCFR	KCR4S2NC0	LCR3S11NCEN
CCR1S2NCFR	CER1S1NCFR	CER3S1NCDE	LCR1S0NB	LCR3S12NCDE
CCR2S1NCDE	CER1S2NCDE	CER3S1NCEN	LCR1S0NC	LER1S11NCDE
CCR2S1NCEN	CER1S2NCEN	CER3S1NCFR	LCR1S11NBEN	
CCR2S1NCFR	CER1S2NCFR	CER3S2NCDE	LCR1S11NCDE	
CCR2S2NCDE	CER2S1NCDE	CER3S2NCEN	LCR1S11NCEN	

## 8. Technical data

Applied standards:

- EN 15091: 2013
- EN 60335-1: 2012
- EN 61000-6-1: 2007 and EN 61000-6-3: 2011
- EN 1717: 2011
- EN ISO 3822: 2010

All miscea fittings are certified according to DVGW and WRAS guidelines and thus comply with the above standards.



Germany, January, 2017.

A handwritten signature in black ink, consisting of several loops and flourishes, appearing to read 'M. Ubink'.

Michiel Ubink  
Managing Director

The declarations of conformity can be requested at the following address:  
miscea GmbH | Hauptstr. 2, D-14979 Grossbeeren, Germany.

## 9. Warranty and information

### 9.1 Warranty

The warranty period is 2 years from the date of purchase documented on the purchase receipt. If the faucet needs repairing, contact your miscea dealer.

### 9.2 Warranty conditions

The warranty becomes void if you perform any of the following:

- Open the water box or break the warranty seal of the water box.
- Connect the faucet to a water supply that has no strainer.
- Change, repair or replace the spouts of the soap box.
- Clean the faucet with abrasives, strong acids or bleach products.
- Repair the faucet, the water box or the soap box yourself.

In addition, miscea refers to the miscea Sales and Delivery conditions regarding the applicable warranty conditions.

### 9.3 Contact information

For questions about where to buy our products or questions concerning the use or installation: please visit our website for the miscea representative in your country.

### 9.4 Updates of the manual

We update this manual regularly. If you want to have the latest version of this manual, you can download a copy from [www.miscea.com](http://www.miscea.com) or send your request to [info@miscea.com](mailto:info@miscea.com).

### 9.5 Environment and recycling

The miscea CLASSIC is an electrical appliance for which return and collection obligations apply in many countries. miscea is involved in appropriate return systems in Germany.



Your miscea product has been designed and manufactured using high-quality materials and components that are suitable for recycling and / or re-use. This symbol means that electrical and electronic devices as well as batteries and accumulators must be disposed of separately from household waste at the end of their useful life.



## 10. Service

### Service

To resolve problems, follow the table error / cause / solution. In the case of maintenance work on the system, the power supply must first be switched off!

If the problem cannot be solved, disconnect the power supply. Write the serial number of the water box from the top of the unit and contact a qualified installer or contact miscea by email at [berlin@miscea.com](mailto:berlin@miscea.com).

The table below provides helpful hints and solutions for troubleshooting the Third Generation miscea CLASSIC System as well as scenarios for possible hardware and software problems.

### Before contacting miscea Technical Support

If you are having problems with your Third Generation miscea CLASSIC System try the appropriate solutions below to isolate the exact problem before contacting miscea GmbH for further technical support.

1. Check the system is plugged into a working electrical outlet and switched on.
2. Check the system is connected to the mains water supply and the water supply is turned on.
3. Check the pouches containing the liquid hand products are installed and not empty.
4. Check all cable and tubing connections for loose connections or incorrect connections. Please refer to appropriate manual for correct installation procedures.

### Solving General Problems

You may be able to easily resolve general problems described in this section. If a problem persists and you are unable to resolve it yourself or if you feel uncomfortable about performing the operation, please contact your nearest miscea technical support.

#### WATER RELATED PROBLEMS

Symptoms Experienced	Possible Problem or Cause	Solution
<ul style="list-style-type: none"> <li>• The water won't stop.</li> </ul>	The bucket fill mode was accidentally activated.	When the bucket fill mode is activated, the system will automatically stop dispensing water after 10 minutes. To manually stop bucket fill mode, activate the soap or disinfectant sector.
	..... There is an issue with the solenoid valve.	Disconnect the miscea system from the power point. After 10 seconds, reconnect the miscea system to the power point. This should reset the system and resolve any minor system glitches. If the problem persists, please contact miscea GmbH for further technical assistance.

## 10. Service

### WATER RELATED PROBLEMS

Symptoms Experienced	Possible Problem or Cause	Solution
<ul style="list-style-type: none"> <li>The faucet is not dispensing hot water.</li> <li>The faucet is not dispensing cold water.</li> <li>Only one water temperature is dispensed. Not able to change water to hot or cold.</li> </ul>	<p>Interruption in communication between the motor and Cartouche components located inside the waterbox.</p> <p>NOTE: Please check the miscea system is connected to a hot and cold water outlet or device that allows for availability of hot water. If only a cold water outlet is available, then it is not possible to receive hot water.</p>	<p>Disconnect the miscea system from the power point. After 10 seconds, reconnect the miscea system to the power point. This should reset the system and resolve any minor system glitches.</p> <p>If the problem persists, please contact miscea GmbH for further technical assistance.</p>
<p>The faucet is not dispensing water.</p>	<p>The system is not plugged into a working power point.</p> <p>The mains water supply is not set to open.</p> <p>The shut off valve (if available) is not set to open.</p>	<p>Check the system is plugged into a working power point and switched on.</p> <p>Check the mains water supply is set to open.</p> <p>Check the shut off valve (if available) is set to open.</p> <p>Check all cable and tubing connections for loose connections or incorrect connections. Please refer to relevant pages of the manual for correct installation procedures.</p>
	<p>An issue with one or more of the components in the waterbox.</p>	<p>Disconnect the miscea system from the power point. After 10 seconds, reconnect the miscea system to the power point. This should reset the system and resolve any minor system glitches.</p> <p>If the problem persists, please contact miscea GmbH for further technical assistance.</p>
<p>The faucet is leaking/dripping water.</p>	<p>If newly installed, the mains water supply was not flushed thoroughly enough before installation, resulting in dirt particles entering the waterbox, causing problems with components inside the waterbox.</p>	<p>Disconnect the miscea system from the power point. After 10 seconds, reconnect the miscea system to the power point. This should reset the system and resolve any minor system glitches.</p> <p>Flush the faucet using the bucket fill mode or continuously activating the water sector for 1 minute.</p> <p>If the problem persists, please contact miscea GmbH for further technical assistance.</p>

## 10. Service

### WATER RELATED PROBLEMS

Symptoms Experienced	Possible Problem or Cause	Solution
<ul style="list-style-type: none"> <li>The faucet is dispensing water on its own (ghost water)</li> </ul>	<p>The sensor in the sector is dirty.</p> <p>Issue with sensors in faucet head.</p>	<p>Switch the faucet off, and clean the sensor ring in the sector with a damp cloth.</p>
	<p>Possible environmental factors such as bright light or super reflective surfaces affecting the sensors.</p>	<p>If problem persists, please contact miscea GmbH for further technical support.</p>
<ul style="list-style-type: none"> <li>The waterbox is making a lot of noise.</li> </ul>	<p>The system is calibrating.</p> <p>Issue with sensors in the faucet head.</p>	<p>If this is only happening once a day, then it is completely normal. If happening more than once a day, reset the system by disconnecting from power point, then reconnecting after 10 seconds.</p>
		<p>If the problem persists, please contact miscea GmbH for further technical assistance.</p>
<ul style="list-style-type: none"> <li>The water stream is very weak.</li> </ul>	<p>The mains water supply is not completely set to open.</p>	<p>Check the mains water supply is set to completely open.</p>
	<p>The shut off valve (if available) is not completely set to open.</p>	<p>Check the shut off valve (if available) is set to completely open.</p> <p>If the problem persists, please contact miscea GmbH for further technical assistance.</p>

## 10. Service

### SOAP/DISINFECTANT/LOTION RELATED PROBLEMS

Symptoms Experienced	Possible Problem or Cause	Solution
<ul style="list-style-type: none"> <li>The soap/disinfectant/lotion won't dispense.</li> <li>The soap/disinfectant/lotion dispenses with sputters.</li> <li>The soap/disinfectant/lotion sometimes dispenses and others not.</li> </ul>	The system is not plugged into a working power point.	Check the system is plugged into a working power point and switched on.
	The cables and tubing may have not been connected correctly.	Check all cable and tubing connections for loose connections or incorrect connections. Please refer to the relevant pages of the manual for correct installation procedures.
	The soap/disinfectant/lotion pouches may have not been secured correctly.	Check soap/disinfectant/lotion pouches are secured correctly. Please refer to user manual.
	The soap and disinfectant sectors have not been primed, or the liquid hoses contain air.	Prime/bleed the soap/disinfectant/lotion. Please refer to the relevant pages of user manual.
	The liquid outlet is clogged	Switch off the system and clean the liquid outlet with a damp cloth.  If the problem persists, please contact miscea GmbH for further technical assistance.
	Possible issue with pump components in soap-box.	Disconnect the miscea system from the power point. After 10 seconds, reconnect the miscea system to the power point. This should reset the system and resolve any minor system glitches.
	Soap/Disinfectant/Lotion tubes are blocked/damaged.	If the problem persists, please contact miscea GmbH for further technical assistance.
<ul style="list-style-type: none"> <li>Only a small amount of soap / disinfectant / lotion is dispensed.</li> <li>Too much soap / disinfectant / lotion is dispensed.</li> </ul>	The pre-selected amount of dispensed liquid is to high/low.	You can adjust the amount of dispensed liquid with the remote control.

## 10. Service

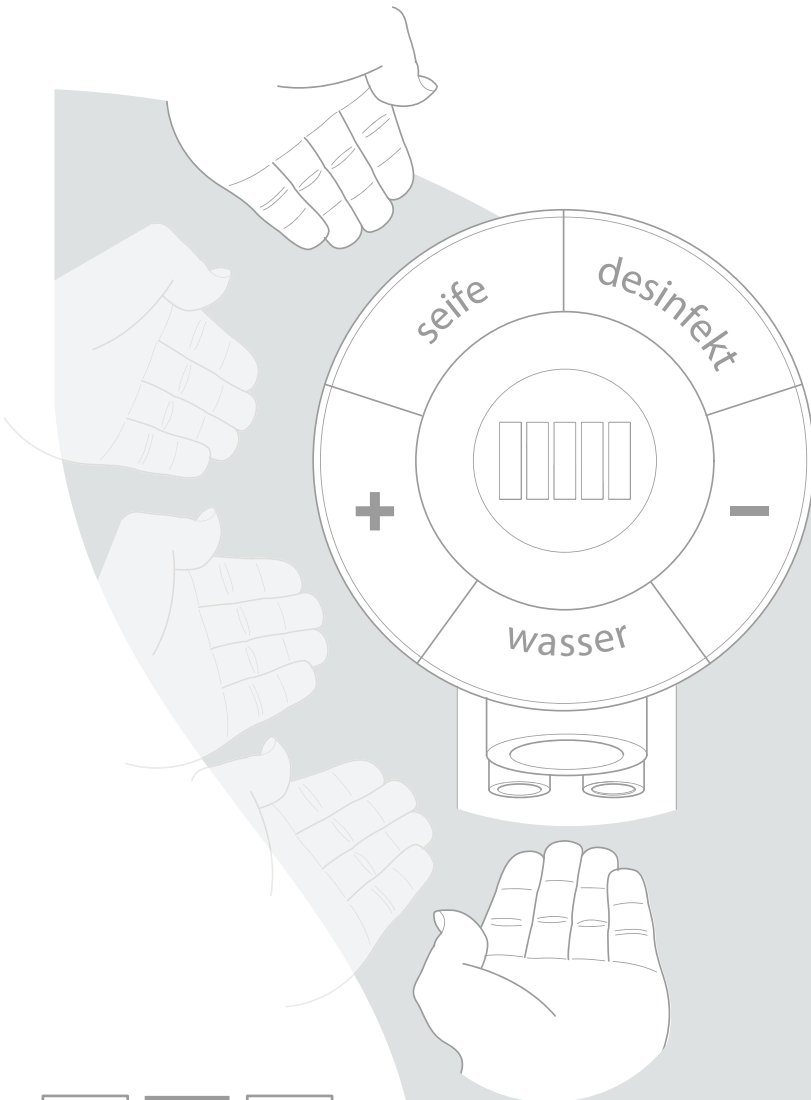
### OTHER PROBLEMS

Symptoms Experienced	Possible Problem or Cause	Solution
<ul style="list-style-type: none"><li>Temperature display does not light up.</li></ul>	LED lights damaged.	Disconnect the miscea system from the power point. After 10 seconds, reconnect the miscea system to the power point. This should reset the system and resolve any minor system glitches.  If the problem persists, please contact miscea GmbH for further technical assistance.
<ul style="list-style-type: none"><li>Faucet not reacting to anything for a long period of time.</li></ul>	The system is not plugged into a working power point.  Possible problem with electronics in waterbox and faucet head.	Check the system is plugged into a working power point and switched on.  Disconnect the miscea system from the power point. After 10 seconds, reconnect the miscea system to the power point. This should reset the system and resolve any minor system glitches.  If the problem persists, please contact miscea GmbH for further technical assistance.
<ul style="list-style-type: none"><li>Faucet does not respond to remote control.</li></ul>	Position of remote control is incorrect.	Be sure to hold the remote control in the right position to the faucet head. Please refer to the relevant pages of the user manual.
<ul style="list-style-type: none"><li>A sector does not light properly when activated.</li></ul>	The sector is dirty.  The LED of the sector is broken.	Switch the faucet off, and clean the sector with a damp cloth.  If the problem persists, please contact miscea GmbH for further technical assistance.





## Betriebsanleitung



EN DE NL

CLASSIC



© 2017 miscea GmbH

Kein Teil dieser Veröffentlichung darf ohne die vorherige schriftliche Einwilligung von miscea in beliebiger Weise oder Form reproduziert, übertragen, aufgezeichnet, in einem Datenträger gespeichert bzw. in eine menschliche oder Computersprache übersetzt werden. Bei einer Verletzung des Urheberrechtes sieht miscea sich eventuell nicht mehr dazu in der Lage, wirksame technische Unterstützung für das Produkt zu bieten.

Sämtliche technischen Informationen, Daten und Anweisungen in dieser Anleitung zu Schritten, deren Ausführung möglich und nötig ist, sind zum Zeitpunkt der Herausgabe auf dem neuesten Stand.

Diese Anleitung spiegelt nach bestem Wissen und Gewissen unser derzeitiges Know-how und unsere bisherigen Erfahrungen wider.

Wir behalten uns das Recht vor, technische Änderungen im Rahmen der Weiterentwicklung des in dieser Anleitung vorgestellten miscea-Produktes vorzunehmen. Aus diesem Grund sind aus den technischen Daten, Beschreibungen und Abbildungen keinerlei Rechte abzuleiten.

miscea behält sich das Recht vor, sowohl diese Anleitung als auch die darin beschriebenen Produkte ohne vorherige Ankündigung zu ändern. Kein Teil dieser Anleitung stellt eine vertragliche oder sonstige Verpflichtung von miscea dar oder ist so zu verstehen. Diese Veröffentlichung wurde mit größtmöglicher Sorgfalt vorbereitet. Wenden Sie sich in Zusammenhang mit Verbesserungsvorschlägen bitte an miscea. Das Original dieser Anleitung ist in englischer Sprache verfasst. Eine Kopie ist auf Anfrage erhältlich.

Version: V17.04



# Inhaltsverzeichnis

<b>1.</b>	<b>Allgemeines</b>	<b>42</b>
1.1	Über diese Anleitung	42
1.2	Zeichen in dieser Anleitung	42
<b>2.</b>	<b>Verpackungsinhalt</b>	<b>42</b>
<b>3.</b>	<b>Technische Beschreibung</b>	<b>42</b>
3.1	Komponenten	43
3.2	Identifikation des Produkts	43
3.3	Anwendungsbereich	43
<b>4.</b>	<b>Installation</b>	<b>43</b>
4.1	Installation des Systems	44
<b>5.</b>	<b>Gebrauch</b>	<b>45</b>
5.1	Armaturenkopf	45
5.2	Bedienung des Systems	45
5.3	Wasserentnahme	45
5.4	Spenden von Flüssigkeiten	46
5.5	Optionales Zubehör	47
5.6	Verwendung der Fernbedienung	47
<b>6.</b>	<b>Reinigung und Wartung</b>	<b>47</b>
6.1	Lagerung	47
6.2	Reinigung	48
6.3	Automatischer Spülzyklus	48
6.4	Austausch des Beutels / Flasche	48
6.5	Leitungen mit Flüssigkeit füllen	49
<b>7.</b>	<b>Nachfüllmedien Sicherheitsinformation</b>	<b>49</b>
<b>8.</b>	<b>Technische Daten</b>	<b>51</b>
8.1	Elektrische Prüfdaten	52
8.2	Elektrische Daten	52
8.3	Zulassung und Konformität	52
<b>9.</b>	<b>Garantie und Information</b>	<b>54</b>
9.1	Garantie	54
9.2	Garantiebedingungen	54
9.3	Kontaktinformation	54
9.4	Aktualisierungen der Betriebsanleitung	54
9.5	Umwelt und Recycling	54
<b>10.</b>	<b>Service</b>	<b>55</b>

## 1. Allgemeines

### 1.1 Über diese Anleitung

Diese Anleitung enthält technische Daten, Anweisungen und Erläuterungen zur sicheren Verwendung dieses Produktes. Vor Transport, Installation, Inbetriebnahme, Neustart, Bedienung oder Wartung des Produktes sind diese Anweisungen zu lesen und zu verstehen.

Die Abbildungen, Zeichnungen und Grafiken in dieser Anleitung unterscheiden sich eventuell von den tatsächlichen Bauteilen. Wenden Sie sich mit Fragen, die nicht in dieser Anleitung beantwortet werden, an Ihren Lieferanten vor Ort. Bewahren Sie diese Anleitung zur künftigen Bezugnahme auf. Bitte diese Anleitung an den Benutzer der Armatur weitergeben!

### 1.2 Zeichen in dieser Anleitung



#### **WARNUNG**

Eine Warnung bedeutet, dass die Gefahr von Verletzungen - auch tödlichen - besteht, wenn die Anweisungen nicht befolgt werden.



#### **VORSICHT**

Vorsicht bedeutet, dass Schäden am Gerät möglich sind.



Ein Hinweis liefert Zusatzinformationen, z.B. für eine Maßnahme.

## 2. Verpackungsinhalt

Beschreibung des Verpackungsinhalts siehe Abb. A und B.

1. miscea Armatur
2. Wasserbox
3. Seifenbox
4. Befestigungsplatte für die Wasserbox (an der Wasserbox vormontiert)
5. Befestigungsplatte für die Seifenbox (an der Seifenbox vormontiert)
6. Netzteil
7. Befestigungsmaterial und Dichtungen
8. Betriebsanleitung
9. Nachfüllmedien

## 3. Technische Beschreibung

Das Handhygiene-System miscea "CLASSIC" macht es möglich, dass Sie Ihre Hände waschen können, ohne das System zu berühren. Der Kopf der Armatur hat verschiedene Sektoren mit eingebauten Infrarotsensoren. Die Funktionen können aktiviert werden, indem Sie Ihre Hände in die Erkennungszonen der Sensoren bewegen.

Folgende Armaturen-Modelle sind verfügbar (siehe Abb. C):

- 1A. Standardmodell
- 1B. Kleines Modell
- 1C. Wandmodell

## 3. Technische Beschreibung

### 3.1 Komponenten

Identifikation der Komponenten siehe Abb. C

1. Armatur (1A, 1B oder 1C)
2. Wasserbox
3. Seifenbox (3a oder 3b)

### 3.2 Identifikation des Produkts

Lage der Produktypenschilder siehe Abb. C.

### 3.3 Anwendungsbereich

Der Betrieb der Armatur ist möglich mit:

- Druckfesten Warmwasserspeichern
- Thermisch gesteuerten Durchlauferhitzern
- Hydraulisch gesteuerten Durchlauferhitzern

**Der Betrieb mit drucklosen Speichern (Niederdruckspeicher) ist nicht möglich!**

Die miscea CLASSIC ist mit einem DIN-DVGW bauartgeprüften Rückflussverhinderer ausgerüstet.

## 4. Installation



### VORSICHT

- Öffnen Sie die Wasserbox nicht und beschädigen Sie auch das Siegel nicht. Ansonsten verfällt jeglicher Garantieanspruch.
- Schliessen Sie die Armatur niemals ohne Filter an der Warm- und Kaltwasserzuleitung an. Ansonsten verfällt jeglicher Garantieanspruch.
- Schliessen Sie die Schläuche nie bei eingeschalteter Armatur oder angeschlossenem Netzteil an.
- Halten Sie während des Kalibrierungsprozesses keine Gegenstände in die Nähe des Armaturenkopfes. Dies könnte den Lichtstrahl unterbrechen und die Kalibrierung beeinflussen.
- Armatur nicht an einem frostgefährdeten Ort anbringen oder aufbewahren.
- Vorsicht mit dem Stromkabel der Armatur und der Seifenbox. Der Stecker am Ende der beiden Kabel ist zerbrechlich.
- Nur Wasserbox und Armatur aus dem gleichen Lieferkarton kombinieren und anschließen. Ansonsten ist es möglich, dass das System nicht einwandfrei funktioniert.
- Vergewissern Sie sich, dass die Schläuche für die Flüssigkeiten richtig angeschlossen sind.
- Schläuche nicht beschädigen oder knicken.
- Verwenden Sie nur die mitgelieferten Teile, um das System zu installieren.
- Verwenden Sie nur das mit dem System gelieferte Netzteil.
- Nur Originalersatz- und Zubehörteile verwenden. Die Benutzung von anderen Teilen führt zum Erlöschen der Gewährleistung sowie der CE-Kennzeichnung und kann zu Verletzungen führen.

## 4. Installation

- Gefahr durch beschädigte Spannungsversorgungskabel vermeiden. Bei Beschädigung muss das Steckernetzteil vom Hersteller oder dessen Kundendienst oder einer gleichermaßen qualifizierten Person ersetzt werden.
- Der beiliegende Netzteil-Stecker (Stecker Typ EFC) ist ausschließlich für die Verwendung mit Schukosteckdosen (CEE 7/4) geeignet.
- Die miscea CLASSIC ist ausschließlich zum Gebrauch in geschlossenen Räumen geeignet.
- Führen Sie die Installation nicht durch, wenn das Produkt (Stromkabel) unter Strom steht.
- Führen Sie die Installation sicher an einer Stelle aus, die stark genug ist, um das Gewicht des Gerätes zu stützen.
- Installieren Sie das Produkt nicht an Orten, wo Schäden durch Salz auftreten könnten, oder wo aggressive, neutrale oder reduktive Gase vorhanden sind.
- Es ist nicht erlaubt, das Stromkabel zu zerkratzen, zu beschädigen, zu bearbeiten, übermäßig zu verbiegen, zu ziehen, zu verdrehen, zu bündeln und auch nicht, schwere Gegenstände darauf zu stellen oder es einzuklemmen.
- Führen Sie keinen Auseinanderbau oder Modifikation des Geräts durch, die nicht ausdrücklich in dieser Anleitung beschrieben wird. Dies könnte nämlich zu Bränden, elektrischen Schlägen oder Verletzungen führen.
- Verwenden Sie es nicht an einem heißen Ort, wie etwa einer Dusche, wo sich Kondenswasser auf dem Gerät bilden könnte, oder wo eventuell Wasser direkt auf das Gerät spritzt. Dies könnte zu Bränden, elektrischen Schlägen oder Fehlfunktionen führen.
- Verwenden Sie einphasigen Strom mit 220-240 V.
- Die miscea CLASSIC Systemkomponenten müssen am Einbauort vor mechanischen Beschädigungen sowie vor Hitze und direkter Sonneneinstrahlung geschützt werden (Temperatur max. 50 °C). Nicht in der Nähe von Hitzequellen oder offenem Feuer montieren.



### VORSICHT

Es ist darauf zu achten, dass die Systemkomponenten für Wartungsarbeiten gut zugänglich sind.

- Die der Armatur beige packten Siebdichtungen müssen eingebaut werden, um Schmutzeinspülungen aus dem Leitungsnetz zu vermeiden. Schmutzeinspülungen können die Funktion beeinträchtigen und/oder zu Beschädigungen an Funktionsteilen des Elektrogeräts führen, für hieraus ergebende Schäden haftet miscea nicht.
- Kalt- und Warmwasserzufuhr öffnen und Anschlüsse auf Dichtheit prüfen.

### 4.1 Installation des Systems



### VORSICHT

Spülen Sie die Warm- und Kaltwasserzuleitung gründlich durch, bevor Sie das System installieren (DIN 1988/DIN EN 806 beachten). Vergewissern Sie sich, dass das Wasser absolut sauber ist.



Installieren Sie ein Eckventil zwischen der Wasserversorgung und dem System. Im Falle von Wartungs- oder Reparaturarbeiten am System kann dieses Eckventil geschlossen werden.

- Installation des Systems siehe Abb. D - I. Bauen Sie das System in der angegebenen Reihenfolge zusammen.

## 5. Gebrauch

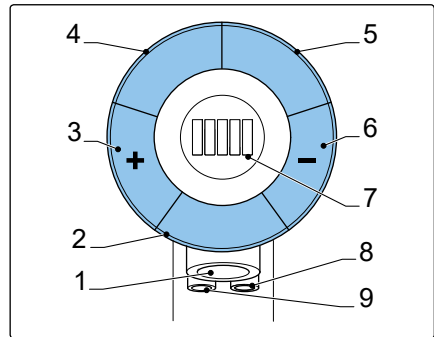


### VORSICHT

- Vor Verwendung der Armatur ist sicherzustellen, dass die Montage korrekt durchgeführt wurde.
- Nur von miscea zugelassene Flüssigkeiten und Beutel verwenden.
- Dieses Gerät ist nicht für den Gebrauch durch Personen (einschließlich Kindern) mit eingeschränkten physischen, sensorischen oder geistigen Fähigkeiten sowie mangelnder Erfahrung und Kenntnis bestimmt.
- Kinder müssen beaufsichtigt werden um sicherzustellen, dass sie nicht mit dem Gerät spielen.

### 5.1 Armaturenkopf

1. Wasserauslass
2. Wasserentnahmesektor
3. Wassertemperatursektor (+)
4. Seifenspendersektor
5. Desinfektionsspendersektor
6. Wassertemperatursektor (-)
7. Wassertemperaturanzeige
8. Desinfektionsauslass
9. Seifenauslass



### 5.2 Bedienung des Systems

Sobald das System an die Netzstromversorgung angeschlossen ist, ist es eingeschaltet. Um anzuzeigen, dass das System in Betrieb ist, leuchtet der blaue LED-Schalter an der Wasserbox auf und am Kopf der Armatur beginnt ein weißes Licht zu pulsieren.

#### Aktivierung eines Sektors

- Um den Wasserentnahmesektor zu aktivieren, halten Sie Ihre Hand mit einem Abstand von maximal 15 cm in den Sektor.
- Um einen anderen Sektor zu aktivieren, halten Sie Ihre Hand mit einem Abstand von maximal 5 cm in den Sektor.

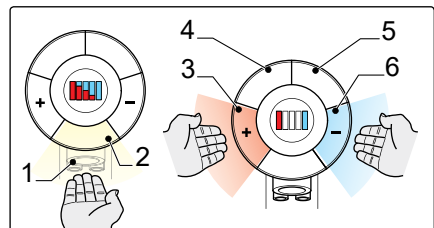
#### Deaktivierung eines Sektors

- Entfernen Sie Ihre Hand aus dem Sektor.
- Des Weiteren können Sie die Spendersektoren schnell deaktivieren, indem Sie die oben beschriebene Handbewegung wiederholen.

### 5.3 Wasserentnahme

#### Hände waschen

- Aktivieren Sie Sektor 2. Halten Sie Ihre Hände unter den Wasserauslass 1.
- Der Wasserstrom wird nach 1 Sekunde, nachdem Sie Ihre Hand aus dem Wasserstrom herausgezogen haben, automatisch gestoppt.



## 5. Gebrauch



### VORSICHT

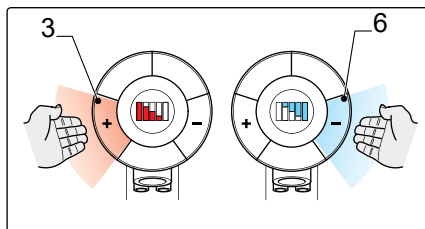
Prüfen Sie stets die Temperatur, bevor Sie Ihre Hände in den Wasserstrom halten. Es besteht die Gefahr, dass Sie sich durch heißes Wasser die Hände verbrennen.

### Füllen eines Eimers

- Stellen Sie einen Eimer unter den Wasserauslass.
- Aktivieren Sie Sektor 3 & 6 eine Sekunde lang gleichzeitig. Das Wasser beginnt zu fließen.
- Der Wasserstrom stoppt 10 Minuten nach Aktivierung automatisch.
- Um den Wasserstrom manuell zu stoppen, halten Sie Ihre Hand eine Sekunde lang über Sektor 4 oder 5.

### Einstellen der Wassertemperatur

- Lesen Sie die tatsächliche Temperatur auf der Anzeige ab.
- Zur Einstellung der Temperatur:
  - Aktivieren Sie Sektor 3, um die Temperatur zu erhöhen. Im Sektor erscheint ein rotes Licht.
  - Aktivieren Sie Sektor 6, um die Temperatur zu verringern. Im Sektor erscheint ein blaues Licht.



Sie können die Wassertemperatur auch einstellen, während das Wasser fließt, oder wenn das System im Standby-Modus ist.

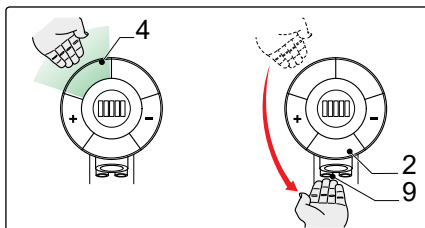


Die Wassertemperatur lässt sich mit einer Hand einstellen, während mit der anderen Hand unter dem Wasserstrom die Wassertemperatur gefühlt werden kann.

### 5.4 Spenden von Flüssigkeiten

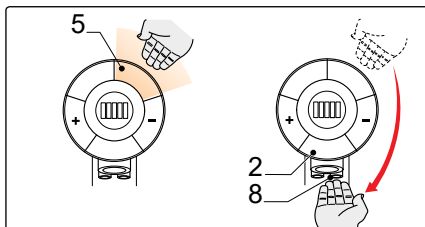
#### Spenden von Seife

- Aktivieren Sie Sektor 4. Im Sektor erscheint ein pulsierendes grünes Licht.
- Aktivieren Sie Sektor 2 und halten Sie Ihre Hand unter Auslass 9.



#### Spenden von Lotion oder Desinfektionsmittel

- Aktivieren Sie Sektor 5. Im Sektor erscheint ein pulsierendes oranges Licht.
- Aktivieren Sie Sektor 2 und halten Sie Ihre Hand unter Auslass 8.



## 5. Gebrauch

### 5.5 Optionales Zubehör

#### Fernbedienung

Mit der Fernbedienung können Sie die Voreinstellungen des Systems ändern. Veränderbar sind: Temperatur, Dosierung von Seife und Desinfektionsmittel, Spülzyklus, Lichtimpuls und Piepton. Das Zurücksetzen auf die Werkeinstellungen ist jederzeit möglich. Besuchen Sie für weitere Informationen unsere Website oder wenden Sie sich an Ihren miscea-Vertreter.

### 5.6 Verwendung der Fernbedienung

Die Anweisungen, wie Sie bestimmte Einstellungen mit der Fernbedienung ändern können, entnehmen Sie bitte der miscea Betriebsanleitung «miscea Fernbedienung».

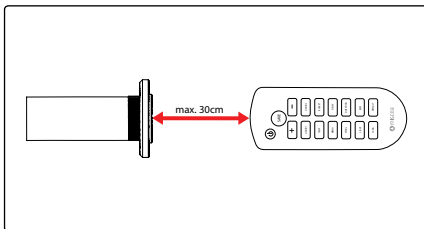


Abb. K

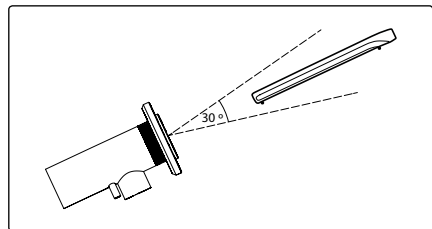


Abb. L

## 6. Reinigung und Wartung



### VORSICHT

- Versuchen Sie nicht, die miscea Armatur, die Wasserbox oder die Seifenbox selbst zu reparieren. Reparaturen sind nur qualifizierten miscea-Mitarbeitern gestattet. Wenn Sie selbst Reparaturen durchführen, verfällt jeglicher Garantieanspruch.
- Armatur nicht mit aggressiven, stark ätzenden oder bleichenden Produkten reinigen. Ansonsten verfällt jeglicher Garantieanspruch.
- Bei der Reinigung das Gerät und Steckernetzteil nicht direkt oder indirekt mit Wasser abspritzen.



### WARNUNG

Reinigen Sie das System nicht, wenn es eingeschaltet ist.

### 6.1 Lagerung

- Lagern Sie das System an einem trockenen Ort und außerhalb der Reichweite von Kindern.

## 6. Reinigung und Wartung

### 6.2 Reinigung

- Reinigen Sie das System mit einem weichen, sauberen Lappen, Wasser und einem milden Reinigungsmittel.
- Um Schmutz oder Kalk zu entfernen:
  - Lassen Sie Haushaltsessig oder ein handelsübliches Entkalkungsmittel ein paar Minuten auf die verkalkten Stellen einwirken.
  - Waschen Sie die behandelten Stellen mit reichlich Wasser ab. Trocknen Sie das System.
- Reinigen Sie Wasser- und Seifenbox mit einem feuchten Lappen.

Um die Schönheit der hochwertigen Oberfläche zu erhalten, sind folgende Hinweise zu beachten: Chrom, gebürstete Edelstahl-Oberflächen und farbbeschichtete Oberflächen sind empfindlich gegen säure- und sandhaltige Reinigungsmittel sowie kratzende Schwämme.

Bei Verschmutzung oder Verkalkung, Armaturen mit Seifenwasser oder verdünntem Haushaltsessig reinigen, mit klarem Wasser nachspülen und trockenreiben. Schäden, die durch unsachgemäße Behandlung entstehen, unterliegen nicht der miscea-Gewährleistung.

Um den hygienischen Betrieb des miscea Systems zu gewährleisten, empfehlen wir die Schritte von der miscea Wartungsanleitung. Eine Kopie von der Wartungsanleitung ist verfügbar auf unserer Website: [www.miscea.com](http://www.miscea.com).

Alle für die Einstellungen und Pflege eines miscea System notwendigen Materialien und Werkzeuge sind im Lieferumfang des "miscea SystemCare Set" enthalten und kann von Ihrem miscea Händler bestellt werden.

### 6.3 Automatischer Spülzyklus

Die automatische Spülfunktion wurde entwickelt um ein Verstopfen der Seifen- und Desinfektionsmittelleitungen sowie die Bildung von Legionellen und anderen Bakterien in den Wasserleitungen zu verhindern. Während des Spülens führt das System folgende Schritte durch:

- Schritt 1: die Seife oder Desinfektionsmittel Pumpe wird für 30 Sekunden betrieben
- Schritt 2: kaltes Wasser fließt für 60 Sekunden.

Sie wird ausgelöst, wenn innerhalb eines bestimmten Zeitraums weder Seife noch Desinfektionsmittel verwendet werden. Dieser Zeitraum ist zunächst auf 2 Wochen eingestellt.

Anmerkung: Es ist möglich, die Häufigkeit der automatischen Spülfunktion für Wasser zu erhöhen, es ist jedoch nicht möglich, die Frequenz der automatischen Spülfunktion für Seife und Desinfektionsmittel Spülung ändern.

### 6.4 Austausch des Beutels / Flaschen

Sobald das System keine Seife, Lotion oder Desinfektionsmittel mehr spendet, muss der Beutel/Flasche ausgetauscht werden. Richtige Installation des Beutels/Flaschen siehe Abb. G / H.

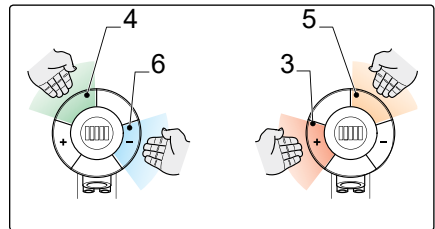


## 6. Reinigung und Wartung

### 6.5 Leitungen mit Flüssigkeit füllen

Nach der Installation der Beutel/Flasche müssen die Leitungen Flüssigkeit ansaugen. Nach Abschluss sind die Leitungen sauber und frei von Luftblasen.

- Drücken Sie 1 Sekunde lang den LED-Schalter an der Wasserbox. Die LED beginnt zu blinken.
- Um den Seifenschlauch zu füllen: aktivieren Sie Sektor 4 & 6 gleichzeitig. Aktivieren Sie Sektor 5 um den Spülvorgang zu stoppen.
- Um den Lotion- oder Desinfektionsmittelschlauch zu füllen: aktivieren Sie Sektor 5 & 3 gleichzeitig. Aktivieren Sie Sektor 4 um den Spülvorgang zu stoppen.



## 7. Nachfüllmedien Sicherheitsinformationen

### Spezifische Benutzung

Haut- und Handdesinfektionsmittel darf nicht für andere Zwecke verwendet werden.

### Vorsichtsmaßnahmen zur sicheren Handhabung

- Desinfektionsmittel ist ein brennbares Medium sowohl als Flüssigkeit als auch als Dampf. Dämpfe können mit Luft explosionsfähiges Gemisch bilden.
- Von Hitze, heißen Oberflächen, Funken, offenem Feuer und andere Zündquellen fernhalten.
- Bei der Verwendung nicht essen, trinken oder rauchen.
- Außerhalb der Reichweite von Kindern aufbewahren.
- Entfernen Sie und waschen Sie kontaminierte Kleidung vor der Wiederverwendung.
- Dämpfe nicht einatmen oder versprühen.
- Vermeiden Sie Kontakt mit Augen.
- Sorgen Sie für ausreichende Belüftung, besonders in geschlossenen Räumen.
- Besondere Vorsichtsmaßnahmen für die Benutzer: Beachten Sie die üblichen Vorsichtsmaßnahmen beim Umgang mit Chemikalien

### Bedingungen für die sichere Lagerung, einschließlich Unverträglichkeiten

- Desinfektionsmittel wird als Gefahrgut eingestuft. Lagern Sie Flüssigkeiten nach lokalen Lagerungsverordnungen für gefährliche Güter.
- Bewahren Sie die Behälter dicht verschlossen an einem trockenen, kühlen und gut belüfteten Ort auf.
- Inhalt/Behälter, in Übereinstimmung mit örtlichen und nationalen Vorschriften entsorgen. Nicht ins Gewässer/Grundwasser ablassen.
- Halten Sie Produkt- und leeren Behälter von Hitze und von Zündquellen fern.
- Essen, Trinken und Tierfuttermittel fernhalten.
- Nicht kompatibel mit Oxidationsmitteln.

## 7. Nachfüllmedien Sicherheitsinformationen

### Erste Hilfe-Maßnahmen

In diesem Kapitel sind die wichtigsten erste Hilfe-Maßnahmen zu finden. Die wichtigsten Symptome und Wirkungen, akute sowie verzögerte sind:

- Verursacht schwere Augenreizung.
- Kann Schläfrigkeit und Benommenheit verursachen.
- Entfernen Sie kontaminierte getränkte Kleidung sofort.
- Wenn Sie sich unwohl fühlen, holen Sie ärztlichen Rat ein.

### Nach der Inhalation

- Gehen Sie an die frische Luft im Falle eines versehentlichen Einatmens der Dämpfe.
- Bei Beschwerden beziehen Sie medizinische Behandlung.

### Nach Berührung mit den Augen

- Vorsichtig sofort mit viel Wasser, auch unter den Augenlidern, mindestens 15 Minuten ausspülen. Entfernen Sie Kontaktlinsen, falls vorhanden um es leichter zu machen.
- Wenn Augenreizung anhält, suchen Sie einen Facharzt auf.

### Nach Verschlucken

- Mund sofort mit reichlich Wasser ausspülen (wenn möglich mit medizinischem Kohlezusatz).
- Rufen Sie sofort einen Arzt.
- Erbrechen nur auslösen auf Rat eines Arztes.

## 8. Technische Daten

Die Leistungsdaten gemäß Tabelle unten wurden geprüft und zertifiziert.

### LEISTUNGSDATEN

Parameter	Wert
Spannung	24 V <sub>DC</sub>
Eingangsspannung	100 ~ 240 V <sub>AC</sub> / 50 ~ 60 Hz
Betriebswasserdruck	0,5 - 8 bar
max. Wassertemperatur	70 °C
Schutzklasse des Leiterplattengehäuses	IP 55
Gewicht der Armatur (einschl. Schläuche und Kabel)	Standardmodell: 1,0 kg kleines Modell: 0,9 kg Wandmodell: 0,9 kg
Gewicht Wasserbox (einschl. Schläuche)	1,75 kg
Gewicht Seifenbox (ohne Beutel)	0,95 kg

### VOREINSTELLUNGEN

Parameter	Wert
Reaktionszeit Wasserfluss/Stopp	1 s
Spendevolumen Seife	1 ml
Spendevolumen Lotion oder Desinfektionsmittel	3 ml
Automatischer Spülzyklus	2 Wochen

### TRANSPORT & LAGERUNG

Parameter	Wert
Transportgewicht	Standardmodell: 6,8 kg Kleines Modell: 6,7 kg Wandmodell: 6,7 kg
Abmessungen der Verpackung	47 cm x 30 cm x 20 cm
Lagerungstemperatur	10 - 50 °C

### ABMESSUNGEN

Komponente	Abbildung
Armatur Standardmodell	Abb. J1
Armatur kleines Modell	Abb. J2
Armatur Wandmodell	Abb. J3
Seifenbox	Abb. J4 / J5
Wasserbox	Abb. J6

## 8. Technische Daten

### 8.1 Elektrische Prüfdaten

Bemessungs-Stoßspannung: 2000 V

Die Prüfung zur elektromagnetischen Verträglichkeit (Störaussendungsprüfung) wurde mit der Bemessungsspannung und dem Bemessungsstrom durchgeführt.

### 8.2 Elektrische Daten

Anschluss	Wandsteckdose mit Schutzleiter, über eine 10 A Sicherung abgesichert
Max. Leistungsaufnahme	36 W
Standby-Verlustleistung	< 3.0 W
Prüfdruck der Armatur	16 bar
Durchfluss bei 3 bar Fließdruck	6 L / min
Umgebungstemperatur	10 - 40 °C Temperatur
Warmwassereingang Armatur	70 °C
Empfohlen (Energieeinsparung)	60 °C
Wasseranschluss	kalt - blau, warm - rot

### 8.3 Zulassung und Konformität



Konformitätserklärung

EU-Richtlinien 93/68/EEC, 98/83/EC, 2006/95/EC, 89/336/EEC

Michiel Ubink, Geschäftsführer der miscea GmbH mit Sitz in Hauptstraße 2, 14979 Großbeeren, Deutschland, erklärt hiermit, dass die multifunktionale Wasserhahn-Produktfamilie, bekannt unter dem Markennamen miscea, gemäß den EU-Richtlinien (93/68/EEC, 98/83/EC, 2006/95/EC, 89/336/EEC) entwickelt und hergestellt wird und im Einklang mit den folgenden europäischen Normen steht.

Modellnummern:

CCR1S1NCDE	CCR2S2NCEN	CER2S1NCEN	CER3S2NCFR	LCR1S12NBDE
CCR1S1NCEN	CCR2S2NCFR	CER2S1NCFR	KCR4S1NC	LCR1S12NCDE
CCR1S1NCFR	CCR3S1NCDE	CER2S2NCDE	KCR4S1NC0	LCR3S0NC
CCR1S2NCDE	CER1S1NCDE	CER2S2NCEN	KCR4S2NC	LCR3S11NCDE
CCR1S2NCEN	CER1S1NCEN	CER2S2NCFR	KCR4S2NC0	LCR3S11NCEN
CCR1S2NCFR	CER1S1NCFR	CER3S1NCDE	LCR1S0NB	LCR3S12NCDE
CCR2S1NCDE	CER1S2NCDE	CER3S1NCEN	LCR1S0NC	LER1S11NCDE
CCR2S1NCEN	CER1S2NCEN	CER3S1NCFR	LCR1S11NBEN	
CCR2S1NCFR	CER1S2NCFR	CER3S2NCDE	LCR1S11NCDE	
CCR2S2NCDE	CER2S1NCDE	CER3S2NCEN	LCR1S11NCEN	

## 8. Technische Daten

Angewandte Normen:

- EN 15091: 2013
- EN 60335-1: 2012
- EN 61000-6-1: 2007 und EN 61000-6-3: 2011
- EN 1717: 2011
- EN ISO 3822: 2010

Alle miscea Armaturen sind zertifiziert entsprechend DVGW- und WRAS-Richtlinien und weisen somit die Einhaltung der obengenannten Normen nach.



Deutschland, Januar, 2017.

A handwritten signature in black ink, appearing to read 'Michiel Ubink', written over a light grey background.

Michiel Ubink  
Geschäftsführer

Die Übereinstimmungserklärungen können unter der folgenden Adresse angefordert werden:  
miscea GmbH | Hauptstr. 2, D-14979 Großbeeren, Deutschland.

## 9. Garantie und Information

### 9.1 Garantie

Der Garantiezeitraum beträgt 2 Jahre ab dem Kaufdatum gemäß Kaufbeleg. Ist eine Reparatur der Armatur notwendig, wenden Sie sich bitte an Ihren miscea-Händler.

### 9.2 Garantiebedingungen

Die Garantie verfällt, wenn folgendes durchgeführt wurde:

- Öffnen der Wasserbox oder beschädigen des Garantiesiegels an der Wasserbox.
- Anschluss der Armatur an das Wassernetz ohne Filter.
- Änderung, Reparatur oder Austausch der Ausläufe an der Seifenbox.
- Reinigung der Armatur mit abrasiven, stark säurehaltigen oder bleichenden Produkten.
- Selbst ausgeführte Reparaturen an Armatur, Wasser- und Seifenbox.

Im Übrigen verweist miscea im Hinblick auf die geltenden Garantiebedingungen auf die miscea Verkaufs- und Lieferbedingungen.

### 9.3 Kontaktinformation

Wenn Sie an Informationen über Verkaufsstellen unserer Produkte oder Antworten auf Fragen zur Verwendung oder Montage interessiert sind: besuchen Sie unsere Website: Dort finden Sie einen miscea-Vertreter für Ihr Land.

### 9.4 Aktualisierungen der Betriebsanleitung

Wir aktualisieren diese Betriebsanleitung regelmäßig. Eine Kopie der jüngsten Fassung dieser Betriebsanleitung können Sie unter [www.miscea.com](http://www.miscea.com) herunterladen oder Ihre Anfrage an [info@miscea.com](mailto:info@miscea.com) senden.

### 9.5 Umwelt und Recycling

Die miscea CLASSIC ist ein Elektrogerät für das in vielen Ländern Rückgabe- und Rücknahmepflichten gelten. miscea ist in Deutschland an entsprechenden Rücknahmesystemen beteiligt.



Ihr miscea-Produkt wurde unter Einsatz von qualitativ hochwertigen Materialien und Komponenten konstruiert und gefertigt, die für Recycling und/oder Wiederverwendung geeignet sind. Dieses Symbol bedeutet, dass elektrische und elektronische Geräte sowie Batterien und Akkus am Ende ihrer Nutzungsdauer von Hausmüll getrennt zu entsorgen sind.

## 10. Service

### Service

Zur Beseitigung von Problemen, die Tabelle: Störung / Ursache / Abhilfe beachten.

Bei Wartungsarbeiten an der Anlage ist generell erst die Spannungsversorgung zu unterbrechen! Wenn das Problem nicht behoben werden kann, Spannungsversorgung unterbrechen. Seriennummer der Wasserbox von der Oberseite des Geräts aufschreiben und an einen Fachinstallateur wenden oder per E-Mail die Servicehotline des Hauses miscea unter [berlin@miscea.com](mailto:berlin@miscea.com) kontaktieren.

Die Tabelle unterhalb enthält hilfreiche Tipps und Lösungen für Probleme der dritten Generation von der miscea CLASSIC, außerdem enthält Sie auch Szenarien für Hardware und Software Probleme.

### Vor dem Kontakt mit dem technischen Support von miscea

Wenn Sie Probleme mit der dritten Generation Ihrer miscea CLASSIC haben probieren Sie die unten aufgeführten Lösungen und versuchen Sie das genaue Problem zu lokalisieren bevor die miscea GmbH kontaktieren für weitere Hilfe.

1. Prüfen Sie ob das System angeschlossen ist und Stromanschluss vorhanden ist
2. Prüfen Sie ob das System an dem Hauptwasseranschluss angeschlossen ist und verbunden ist
3. Prüfen Sie ob die Flüssigkeiten in Flaschen/Beuteln nicht leer sind oder falsch angeschlossen sind
4. Prüfen Sie alle Kabel und sehen Sie nach ob alles korrekt angeschlossen ist. Gucken Sie dazu in die Bedienungsanleitung für den korrekten Installationsprozess.

### Lösung von allgemeinen Problemen

Allgemeine Probleme können Sie vielleicht mit dieser Beschreibung lösen. Falls das Problem jedoch bestehen sollte oder Sie sich nicht sicher sind ob Sie dazu alleine in der Lage sind, kontaktieren Sie bitte Ihren nächsten miscea Technik Support.

#### WASSERBEZOGENE STÖRUNGEN

Störung	Ursache	Abhilfe
• Wasser stoppt nicht	Der "Eimerfüllmodus" wurde aktiviert.	Wenn der "Eimerfüllmodus" aktiviert wurde, fließt das Wasser dauerhaft und stoppt nach einer definierten Zeit automatisch (Werkseinstellung 10 Minuten). Um den Modus vorzeitig zu beenden, aktivieren Sie den Seifen- oder Desinfektionssektor.

## 10. Service

### WASSERBEZOGENE STÖRUNGEN

Störung	Ursache	Abhilfe
<ul style="list-style-type: none"><li>Wasser stoppt nicht</li></ul>	Das Magnetventil hat eine Störung.	Trennen Sie das System von der Stromversorgung. Warten Sie 10 Sekunden und stellen Sie die Stromversorgung wieder her. Das System wird neugestartet und kleinere Systemstörungen sollten behoben sein.  Falls das Problem weiterhin besteht, kontaktieren Sie bitte die miscea GmbH für weitere technische Unterstützung.
<ul style="list-style-type: none"><li>Die Armatur spendet kein Warmwasser.</li><li>Die Armatur spendet kein Kaltwasser.</li><li>Die Wassertemperatur kann nicht verstellt werden.</li></ul>	Störungen in der Kommunikation/Anbindung von Motor- und Kartuschen  HINWEIS: Bitte prüfen Sie, ob das miscea System an eine funktionstüchtige Kalt- und Warmwasserversorgung angeschlossen ist. Falls nur ein Kaltwasseranschluss vorhanden ist, kann die Armatur kein Warmwasser spenden.	Trennen Sie die Wasserbox von der Stromversorgung. Warten Sie 10 Sekunden und stellen Sie die Stromversorgung wieder her. Das System wird neugestartet und kleinere Systemstörungen sollten behoben sein.  Falls das Problem weiterhin besteht, kontaktieren Sie bitte die miscea GmbH für weitere technische Unterstützung.
<ul style="list-style-type: none"><li>Armatur tropft aus dem Wasserauslass</li></ul>	Im Falle einer Neuinstallation wurden die Leitungen nicht ausreichend gespült, wodurch Schmutzpartikel ins System gespült wurden sind.	Spülen Sie die Armatur durch Aktivierung des „Eimermodus“ für mindestens 1 Minute.  Falls das Problem weiterhin besteht, kontaktieren Sie bitte die miscea GmbH für weitere technische Unterstützung.



### WASSERBEZOGENE STÖRUNGEN

Störung	Ursache	Abhilfe
<ul style="list-style-type: none"> <li>Wasser fließt nicht</li> </ul>	<p>Das System ist nicht an eine Stromversorgung angeschlossen.</p> <p>Die Eckventile der Wasserversorgung sind geschlossen.</p> <p>Die Hauptwasserleitung ist abgesperrt.</p>	<p>Prüfen Sie, ob das Steckernetzteil in eine Steckdose gesteckt ist und ob Spannung anliegt.</p> <p>Prüfen Sie, ob beide Eckventile geöffnet sind.</p> <p>Prüfen Sie, ob die Hauptwasserleitung geöffnet ist.</p> <p>Prüfen Sie alle Kabel und Schlauchleitungen auf eventuelle Defekte oder Wackelkontakte. Bitte beachten Sie die Kapitel der Bedienungsanleitung zur korrekten Installation.</p>
	<p>Ein Problem mit einer oder mehreren Komponenten der Wasserbox ist aufgetreten.</p>	<p>Trennen Sie das miscea System von Ihrem Stromanschluss. Schließen Sie es nach 10 Sekunden wieder an. Das System sollte sich zurücksetzen und alle kleineren System Störungen beheben. Wenn das Problem weiterhin besteht, kontaktieren Sie für weitere technische Unterstützung die miscea GmbH.</p>
<ul style="list-style-type: none"> <li>Armatur schaltet selbstständig</li> </ul>	<p>Die Infrarotsensorik ist verschmutzt.</p> <p>Fehlerhafte Infrarotsensorik.</p> <p>Mögliche Umgebungseinflüsse, wie z. B. helles Licht oder spiegelnde Oberflächen beeinträchtigen die Infrarotsensorik.</p>	<p>Schalten Sie die Armatur aus und Reinigen sie die Infrarotsensorik am Armaturenkopf (schwarzer Kunststoffring hinter der Glasscheibe).</p> <p>Trennen Sie die Wasserbox von der Stromversorgung. Warten Sie 10 Sekunden und stellen Sie die Stromversorgung wieder her.</p> <p>Falls das Problem weiterhin besteht, kontaktieren Sie bitte die miscea GmbH für weitere technische Unterstützung.</p>

## 10. Service

### WASSERBEZOGENE STÖRUNGEN

Störung	Ursache	Abhilfe
<ul style="list-style-type: none"><li>Die Wasserbox macht Geräusche.</li></ul>	<p>Das System kalibriert sich.</p> <p>Probleme mit der Infrarotsensorenk.</p>	<p>Wenn die Geräusentwicklung nur 1-mal täglich auftritt, ist dies völlig normal. Sollte das Problem häufiger auftreten, starten Sie das System neu. Falls das Problem weiterhin besteht, kontaktieren Sie bitte die miscea GmbH für weitere technische Unterstützung.</p>
<ul style="list-style-type: none"><li>Der Wasserstrahl ist sehr schwach.</li></ul>	<p>Der Hauptwasseranschluss ist nicht vollständig offen.</p> <p>Absperrventil (falls vorhanden) ist nicht vollständig offen.</p>	<p>Sehen Sie nach ob der Hauptwasseranschluss komplett offen ist. Überprüfen Sie, dass das Absperrventil (falls vorhanden) richtig eingestellt ist, so dass es vollständig offen ist. Verwenden Sie den Wasser-Durchflussregler, um den Fluss zu erhöhen, indem Sie ihn gegen den Uhrzeigersinn drehen.</p>

### STÖRUNGEN BEZÜGLICH DES SPENDERS (SEIFEN/DESINFEKTIONSMITTEL)

Störung	Ursache	Abhilfe
<ul style="list-style-type: none"><li>Seife/Desinfektionsmittel wird nicht gespendet.</li></ul>	<p>Das System ist nicht an eine Stromversorgung angeschlossen.</p>	<p>Prüfen Sie, ob das Steckernetzteil in eine Steckdose gesteckt ist und ob Spannung anliegt.</p>
<ul style="list-style-type: none"><li>Seife/Desinfektionsmittel spritzt aus den Auslassöffnungen.</li></ul>	<p>Die Kabel oder Schlauchleitungen sind nicht korrekt angeschlossen.</p>	<p>Prüfen Sie alle Kabel und Schlauchleitungen auf eventuelle Defekte oder Wackelkontakte.</p>
<ul style="list-style-type: none"><li>Nur eine der beiden Flüssigkeiten wird gespendet</li></ul>	<p>Die Beutel/Flaschen wurden nicht korrekt eingesetzt.</p> <p>In den Schlauchleitungen befindet sich Luft.</p> <p>Die Auslassöffnungen sind verstopft.</p>	<p>Bitte beachten Sie die Kapitel der Bedienungsanleitung zur korrekten Installation.</p> <p>Prüfen Sie ob die Beutel/Flaschen wie in der Bedienungsanleitung beschrieben eingesetzt sind.</p> <p>Entlüften Sie die Schlauchleitungen, wie in der Bedienungsanleitung beschrieben.</p> <p>Schalten Sie die Armatur aus und Reinigen Sie beide Auslassöffnungen. Falls das Problem weiterhin besteht, kontaktieren Sie bitte die miscea GmbH für weitere technische Unterstützung.</p>

## 10. Service

### STÖRUNGEN BEZÜGLICH DES SPENDERS (SEIFEN/DESINFEKTIONSMITTEL)

Störung	Ursache	Abhilfe
• Seife/Desinfektionsmittel wird nicht gespendet.	Mögliches Problem mit der Pumpe in der Seifenbox.	Trennen Sie das miscea System von der Steckdose. Schließen Sie es nach 10 Sekunden wieder an. Das System sollte sich zurücksetzen und alle kleineren System Störungen beheben.
• Seife/Desinfektionsmittel spritzt aus den Auslassöffnungen.	Seife/Desinfektion/Lotion Schläuche sind beschädigt oder blockiert.	
• Nur eine der beiden Flüssigkeiten wird gespendet		Wenn das Problem weiterhin besteht, kontaktieren Sie für weitere technische Unterstützung die miscea GmbH.
• Es wird zu wenig Seife/ Desinfektion/Lotion wird gespendet.	Die Voreinstellungen der Flüssigkeiten sind zu hoch/niedrig eingestellt.	Sie können die Menge der abgegebenen Flüssigkeiten mit der Fernbedienung einstellen.
• Es wird zu viel Seife/ Desinfektion/Lotion wird gespendet.		Kontaktieren Sie die miscea GmbH für weitere technische Unterstützung.

### ANDERE STÖRUNGEN

Störung	Ursache	Abhilfe
• Die Armatur reagiert nicht mehr.	Das System ist nicht an eine Stromversorgung angeschlossen.  Mögliche Probleme mit der Elektronik.	Prüfen Sie, ob das Steckernetzteil in eine Steckdose gesteckt ist und ob Spannung anliegt.  Trennen Sie die Wasserbox von der Stromversorgung. Warten Sie 10 Sekunden und stellen Sie die Stromversorgung wieder her. Das System wird neugestartet und kleinere Systemstörungen sollten behoben sein.  Falls das Problem weiterhin besteht, kontaktieren Sie bitte die miscea GmbH für weitere technische Unterstützung.

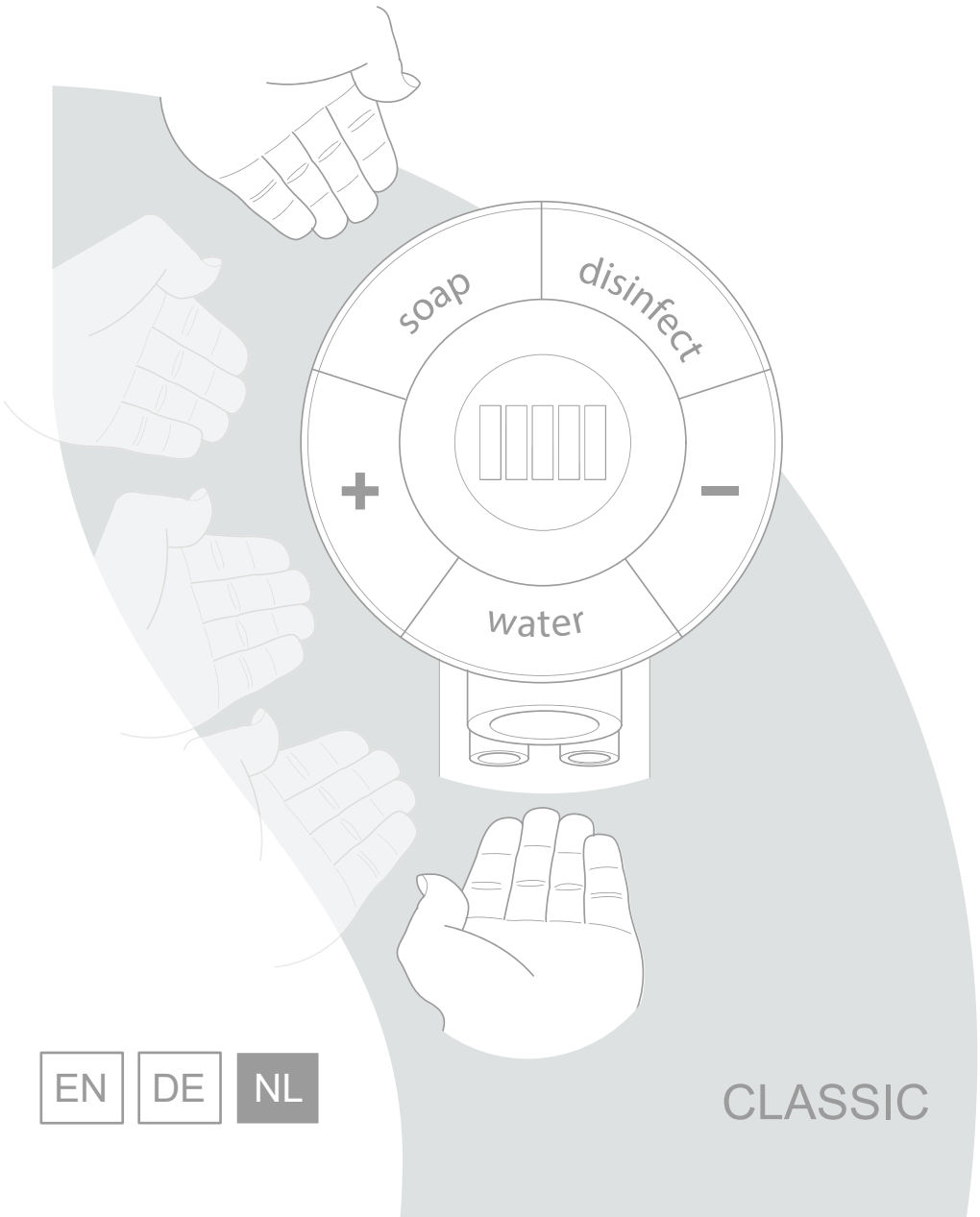
## 10. Service

### ANDERE STÖRUNGEN

Störung	Ursache	Abhilfe
<ul style="list-style-type: none"><li>Ein Sektor wird nicht korrekt beleuchtet.</li></ul>	<p>Der Sektor ist verschmutzt.</p> <p>Eine LED ist defekt.</p>	<p>Schalten Sie die Armatur aus und Reinigen Sie den Armaturenkopf.</p> <p>Falls das Problem weiterhin besteht, kontaktieren Sie bitte die miscea GmbH für weitere technische Unterstützung.</p>
<ul style="list-style-type: none"><li>Das Temperatur Display leuchtet nicht.</li></ul>	<p>Das LED Licht ist kaputt.</p>	<p>Trennen Sie das miscea System von Ihrem Stromanschluss. Schließen Sie es nach 10 Sekunden wieder an. Das System sollte sich zurücksetzen und alle kleineren System Störungen beheben.</p> <p>Wenn das Problem weiterhin besteht, kontaktieren Sie für weitere technische Unterstützung die miscea GmbH.</p>
<ul style="list-style-type: none"><li>Die Armatur reagiert nicht auf die Fernbedienung.</li></ul>	<p>Die Positionierung der Fernbedienung ist nicht korrekt.</p>	<p>Stellen Sie sicher dass Sie die Fernbedienung in der Richtigen Position halten. Sehen Sie dazu in dem Benutzerhandbuch nach.</p>



# Gebruikershandleiding



EN

DE

NL

CLASSIC



© 2017 miscea GmbH

Geen enkel onderdeel van deze uitgave mag zonder vooafgaande schriftelijke toestemming van miscea met alle middelen of in welke vorm dan ook worden vermenigvuldigd, verzonden, overgezet, opgeslagen in een zoekstelsel of vertaald in geen enkele taal waaronder ook computertaal. Schending van de auteursrechten van de eigenaar kan ook negatieve invloed hebben op het verlenen van effectieve ondersteuning door miscea betreffende de apparatuur.

Alle technische informatie, gegevens en instructies in deze handleiding voor alle handelingen die kunnen en moeten worden uitgevoerd, zijn op het moment van het ter perse gaan van deze uitgave bijgewerkt.

Deze handleiding bevat onze huidige kennis en ervaring naar ons beste vermogen.

Miscea houdt zich het recht voor om technische wijzigingen aan te brengen die voortkomen uit verdere ontwikkeling van het in deze gebruikershandleiding gepresenteerde miscea product. Om deze reden kunnen geen rechten worden ontleend op basis van technische gegevens, beschrijvingen en illustraties.

miscea houdt zich het recht voor om zowel deze handleiding als de beschreven producten zonder kennisgeving te wijzigen. Niets in deze handleiding vertegenwoordigt enige contractuele of andere verplichtingen van de zijde van miscea en dient ook niet als zodanig te worden opgevat. Alle mogelijke zorg is besteed aan de uitvoering van deze uitgave. Voor suggesties voor verbeteringen kunt u contact opnemen met miscea. Deze handleiding is oorspronkelijk in het Engels geschreven. Een exemplaar is op verzoek verkrijgbaar.

Versie: V17.04

## Inhoudsopgave

<b>1.</b>	<b>Algemeen</b>	<b>64</b>
1.1	Over deze handleiding	64
1.2	Labels in deze handleiding	64
<b>2.</b>	<b>Inhoud van de verpakking</b>	<b>64</b>
<b>3.</b>	<b>Technische beschrijving</b>	<b>64</b>
3.1	Componenten	65
3.2	Identificatie van het product	65
3.3	Toepassingsgebieden	65
<b>4.</b>	<b>Installatie</b>	<b>65</b>
4.1	Het systeem installeren	66
<b>5.</b>	<b>Gebruik</b>	<b>67</b>
5.1	Kop van de kraan	67
5.2	Het systeem bedienen	67
5.3	Water aftappen	67
5.4	Vloeistofuitgifte	68
5.5	Optionele accessoires	69
5.6	Gebruik afstandsbediening voor miscea CLASSIC systemen	69
<b>6.</b>	<b>Reiniging en onderhoud</b>	<b>69</b>
6.1	Opslag	69
6.2	Reiniging	70
6.3	Automatische spoelfunctie	70
6.4	Vervangen navullingen	71
6.5	Doorspoelen vloeistofslangen	71
<b>7.</b>	<b>Navullingen: veiligheidsinformatie</b>	<b>71</b>
<b>8.</b>	<b>Technische gegevens</b>	<b>73</b>
8.1	Elektrische test gegevens	74
8.2	Elektrische specificaties	74
8.3	Certificaten en conformiteit	74
<b>9.</b>	<b>Garantie en informatie</b>	<b>76</b>
9.1	Garantie	76
9.2	Garantievoorwaarden	76
9.3	Contactgegevens	76
9.4	Bijgewerkte uitgaven handleiding	76
9.5	Milieu en recycling	76
<b>10.</b>	<b>Service</b>	<b>77</b>

## 1. Algemeen

### 1.1 Over deze handleiding

Deze handleiding bevat technische specificaties, instructies en uitleg voor het veilig gebruiken van dit product. Zorg ervoor dat u deze instructies leest en begrijpt voordat u het product gaat vervoeren, installeren, in bedrijf stellen, opnieuw opstarten, bedienen of onderhoudswerkzaamheden gaat uitvoeren. De illustraties, tekeningen en grafieken in deze handleiding kunnen van de werkelijke onderdelen afwijken. Neem, indien u vragen heeft die niet in deze handleiding worden beantwoord, contact op met uw leverancier.

Bewaar deze handleiding als naslagwerk. Gelieve deze instructies over te brengen aan de eindgebruiker.

### 1.2 Labels in deze handleiding



#### **WAARSCHUWING**

Een waarschuwing betekent kans op (dodelijk) letsel bij het niet opvolgen van de instructies.



#### **VOORZICHTIG**

Dit symbool betekent dat de apparatuur beschadigd kan raken.



Dit symbool verschafft aanvullende informatie, bijvoorbeeld met betrekking tot een procedure.

## 2. Inhoud van de verpakking

Zie fig. A en B voor de inhoud van de verpakking.

1. miscea kraan
2. Waterbox
3. Zeepbox
4. Montageplaat voor de waterbox (aan de waterbox voorgemonteerd)
5. Montageplaat voor de zeepbox (aan de zeepbox voorgemonteerd)
6. Adapter
7. Set van bevestigingsmiddelen en afdichtingen
8. Gebruikershandleiding
9. Navullingen

## 3. Technische beschrijving

Met het handhygiëne systeem miscea CLASSIC kunt u uw handen wassen zonder het systeem aan te raken. De kop van de kraan bestaat uit verschillende sectoren met ingebouwde infrarood sensoren. De functies kunnen worden geactiveerd door uw handen in de detectie zones van de sensoren te bewegen. De volgende kraan modellen zijn verkrijgbaar (zie fig. C):

- 1a. Standaard model
- 1b. Small model
- 1c. Wall-mounted model



## 3. Technische beschrijving

### 3.1 Componenten

Zie fig. C voor de identificatie van de componenten

1. Kraan (1A, 1B, of 1C)
2. Waterbox
3. Zeepbox (3a of 3b)

### 3.2 Identificatie van het product

Zie fig. C voor de plaats van de producttype labels.

### 3.3 Toepassingsgebieden

miscea systemen kunnen gebruikt worden in combinatie met:

- Drukvraste boilers
- Thermisch gestuurde elektrische geisers
- Hydraulisch gestuurde elektrische geisers

**Werking met lage druk boilers is niet mogelijk.**

De miscea CLASSIC is gecertificeerd volgens EN1717, en is voorzien van naar DIN-DVGW richtlijnen geteste terugslagkleppen.

## 4. Installatie



### VOORZICHTIG

- Open de waterbox niet en verbreek niet het garantiezegel van de waterbox. Indien u dit wel doet, komt de garantie te vervallen.
- Sluit de kraan niet aan op een watertoevoer zonder filter. Indien u dit wel doet, komt de garantie te vervallen.
- Installeer geen leidingen en/of slangen terwijl de kraan is ingeschakeld of wanneer de adapter is aangesloten.
- Houd geen objecten in de buurt van de kraankop tijdens het kalibreren. Dit kan het licht blokkeren en zodoende het kalibreringsproces verhinderen. Het kalibreren is een proces wat in werking gaat als de stroom wordt aangesloten.
- Installeer en bewaar de kraan niet op een plaats waar de kans op vorstschade aanwezig is.
- Ga voorzichtig om met de voedingskabel van de kraan en de zeepbox. De connector aan het einde van iedere kabel is kwetsbaar.
- Sluit de waterbox van een miscea systeem niet aan op de kraan van een ander miscea systeem Dit kan een correcte werking van het systeem verhinderen.
- Controleer of de slangen voor de vloeistoffen goed zijn aangesloten.
- Snij niet in de slangen en voorkom knikken in de slangen.
- Gebruik uitsluitend de bijgeleverde materialen voor installatie van het systeem. Gebruik uitsluitend de bij het systeem geleverde voedingsadapter.

## 4. Installatie

- Gebruik uitsluitend originele onderdelen en accessoires. Het gebruik van andere onderdelen zal de garantie laten vervallen en de CE- toelating ongeldig maken. Het niet gebruiken van originele onderdelen en accessoires kan leiden tot persoonlijk letsel.
- Voorkom schade door beschadigde voedingskabels. In het geval van schade, moet de adapter en/of andere voedingskabels vervangen worden door miscea, de klantenservice van miscea of een gekwalificeerd persoon.
- De meegeleverde adapter(plug type C) is alleen geschikt voor gebruik met Schuko contactdozen (CEE 7/4).
- De miscea systemen zijn alleen geschikt voor binnenshuis gebruik.
- Installeer niet indien het product (de adapter) aangesloten is op de stroomvoorziening.
- Zorg ervoor dat de oppervlakte waarop het product geïnstalleerd wordt sterk genoeg is om het gewicht van het product te ondersteunen.
- Het is niet toegestaan het netsnoer te bekrassen, beschadigen, wijzigingen aan te brengen, buigen, draaien, bundelen, zware voorwerpen er op te plaatsen of klem te zetten.
- Demonteer of modificeer het product niet, indien dit niet nadrukkelijk in deze handleiding zo beschreven wordt. Indien dit gedaan wordt kan dit leiden tot brand, elektrische schokken of verwondingen.
- Gebruik het systeem niet op een hete plek, zoals een douche, waar condens op het product kan ontstaan, of waar water direct op het product kan spetteren. Dit kan tot brand, elektrische schokken of defecten aan het product leiden.
- Gebruik eenfase voeding tussen 220-240V.
- De miscea CLASSIC systeemcomponenten moeten beschermd zijn tegen mechanische beschadigingen, zoals hitte en direct zonlicht (temperatuur maximaal 50 graden Celcius). Niet in de buurt plaatsen van hittebronnen of open vuur.



### VOORZICHTIG

Er moet voor worden gezorgd dat de onderdelen van het systeem makkelijk toegankelijk zijn voor onderhoudswerkzaamheden.

- De filters aan de uiteinden van de flexibele aansluitslangen, moeten geïnstalleerd worden om vervuiling vanuit het leidingnet te voorkomen.
- Open koud en warm water en controleer de aansluitingen op lekkage

### 4.1 Het systeem installeren



### VOORZICHTIG

- Spoel de waterleiding grondig door voor de installatie van het systeem (Let op DIN 1988 / DIN EN 806!). Zorg ervoor dat de waterleidingen absoluut schoon zijn. Vuil en puin in het water kan de werking verstoren en / of beschadigingen aanbrengen aan de functionele onderdelen van het miscea systeem, miscea is niet verantwoordelijk voor deze schade.



Plaats stopkranen (water afsluiters) tussen de watertoevoer en het systeem. Bij het uitvoeren van onderhoudswerkzaamheden aan het handhygiëne systeem, kunt u de stopkraan sluiten en hoeft u de gehele watertoevoer niet af te sluiten.

- Zie fig. D - I voor de installatie van het systeem. Monteer het systeem in de gegeven volgorde.

## 5. Gebruik

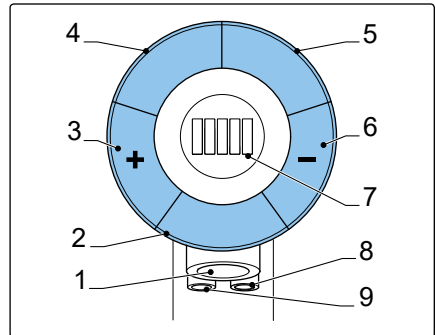


### VOORZICHTIG

- Zorg, vóór gebruik van de kraan, er voor dat de installatieprocedure correct is uitgevoerd.
- Gebruik uitsluitend door miscea goedgekeurde vloeistoffen en navullingen.
- Dit apparaat is niet bedoeld voor gebruik voor personen (inclusief kinderen) met beperkte lichamelijke, zintuiglijke of geestelijke vermogens, evenals gebrek aan ervaring en kennis.
- Kinderen moeten onder toezicht zijn om ervoor te zorgen dat ze niet met het apparaat spelen.

### 5.1 Kop van de kraan

1. Wateruitgifte
2. Water sector
3. Water temperatuur sector (+)
4. Zeep sector
5. Desinfectans sector
6. Water temperatuur sector (-)
7. Water temperatuur display
8. Desinfectans uitgifte
9. Zeep uitgifte



### 5.2 Het systeem bedienen

Zodra het systeem op netstroom is aangesloten, is het systeem ingeschakeld. Om aan te geven dat het systeem in werking is, brandt de blauwe LED-schakelaar op de waterbox en pulseert een wit LED licht op de kraankop.

#### Een sector activeren

- Om de water tapsector te activeren, hand houdt u uw op maximaal 15 cm van de sector.
- Om een andere sector te activeren, houd houdt u uw op maximaal 5 cm van de sector.

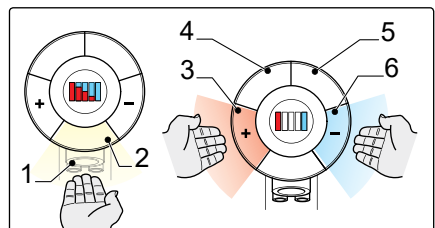
#### Een sector deactiveren

- Beweeg uw hand van de sector af.
- U kunt de afgifte sectoren ook snel uitschakelen door de hierboven beschreven handbeweging te herhalen.

### 5.3 Water aftappen

#### Handen wassen

- Activeer sector 2.
- Houd uw handen onder de wateruitgifte 1.
- De waterstroom stopt automatisch 1 seconde, nadat u uw hand hieruit heeft verwijderd.



## 5. Gebruik



### VOORZICHTIG

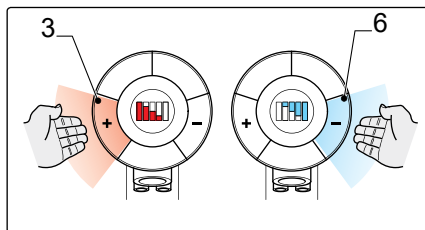
Controleer altijd de temperatuur voordat u uw handen onder de waterstroom houdt. U kunt uw handen aan het hete water branden.

#### Een emmer vullen

- Plaats een emmer onder de wateruitgifte 1.
- Activeer sectoren 3 en 6 tegelijkertijd gedurende 1 seconde. Het water begint te stromen.
- De waterstroom stopt automatisch 10 minuten na het activeren.
- Om de waterstroom handmatig te stoppen, houdt u uw hand gedurende 1 seconde tussen sectoren 4 en 5.

#### De watertemperatuur instellen

- Controleer het display voor de werkelijke watertemperatuur.
- De watertemperatuur instellen:
  - Activeer sector 3 om de watertemperatuur te verhogen. De sector wordt rood verlicht.
  - Activeer sector 6 om de watertemperatuur te verlagen. De sector wordt blauw verlicht.



U kunt de watertemperatuur instellen terwijl het water stroomt of als het systeem in stand-by modus staat.

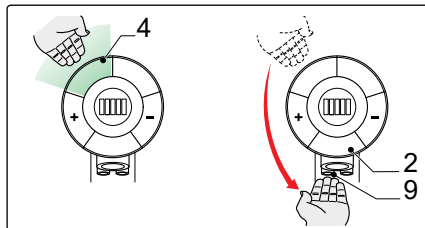


U kunt met één hand de watertemperatuur instellen en uw andere hand onder de waterstroom houden om de watertemperatuur te controleren.

#### 5.4 Vloeistofuitgifte

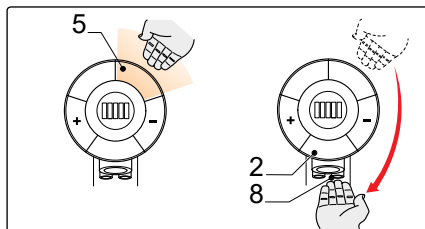
##### Zeepuitgifte

- Activeer sector 4. De sector gaat groen knipperen.
- Activeer sector 2 en houd uw hand onder de uitgifte 9.



##### Lotion of desinfectans uitgifte

- Activeer sector 5. De sector gaat oranje knipperen.
- Activeer sector 2 en houd uw hand onder de uitgifte 8.



## 5. Gebruik

### 5.5 Optionele accessoires

#### Afstandsbediening

Met de afstandsbediening kunt u de standaardinstellingen van het systeem wijzigen. De instellingen omvatten: temperatuur, dosering, spoelfunctie, lichtinstelling van de kraankop, pieptoon en resetten standaardinstellingen.

### 5.6 Gebruik afstandsbediening voor miscea CLASSIC systemen

Het signaal van de afstandsbediening wordt herkend door de elektronica achter het beeldscherm van de kraan. Plaats voor gebruik de afstandsbediening zoals aangegeven in Fig. K en L hieronder. Vervolgens kunnen de gewenste systeem instellingen worden gewijzigd.

Voor instructies aangaande het wijzigen van specifieke systeem instellingen met de afstandsbediening, verwijzen wij u graag naar de miscea afstandsbediening gebruikershandleiding.

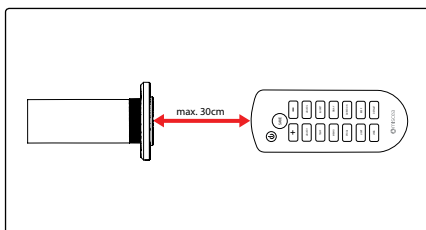


Fig. K

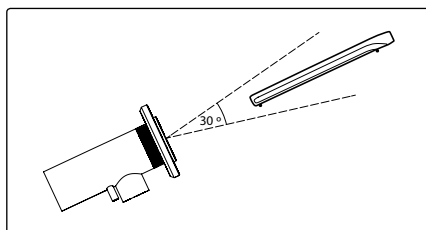


Fig. L

## 6. Reiniging en onderhoud



### VOORZICHTIG

- Probeer de kraan, de waterbox of de zeepbox niet zelf te repareren. Laat reparaties uitsluitend uitvoeren door hiervoor opgeleid personeel van miscea. Indien u zelf reparaties uitvoert, komt de garantie te vervallen
- Reinig de kraan niet met schuurmiddelen, sterke zuren of bleekproducten. Indien u dit wel doet, komt de garantie te vervallen.



### WAARSCHUWING

Reinig het systeem niet terwijl het is ingeschakeld.

### 6.1 Opslag

- Sla het systeem op een droge plaats, buiten het bereik van kinderen op.

## 6. Reiniging en onderhoud

### 6.2 Reinigen

- Reinig het systeem met een zachte, schone doek, water en een mild reinigingsmiddel.
- Voor het verwijderen van vuil of kalk:
  - Laat schoonmaakazijn of een allesreiniger gedurende enkele minuten op het systeem inwerken
  - Spoel het systeem met ruim water af.
  - Droog het systeem.
- Reinig de waterbox en de zeepbox met een vochtige doek.

Om de schoonheid van de hoge kwaliteit van het oppervlak te behouden, moeten de volgende aanwijzingen gevolgd te worden: chroom, geborsteld roestvrij stalen oppervlak, chroom-mat en kleur-gecoate oppervlakken zijn gevoelig voor zuur en zand-bevattende wasmiddelen, evenals krassende sponzen.

Indien vervuild of verkalkt, reinig de armaturen dan met een mild sopje met water, afspoelen met schoon water en drogen. Schade veroorzaakt door ondeskundig gebruik wordt niet gedekt door de miscea garantie.

Om hygiënische werking van uw miscea systeem te garanderen, raden wij u aan de miscea onderhoudshandleiding procedures aan te houden. Een kopie van het onderhoudsboekje is te vinden op de miscea website [www.miscea.com](http://www.miscea.com). Alle noodzakelijke reinigingsgereedschappen en de benodigde onderdelen zijn te vinden in de miscea SystemCare Set en kan via uw miscea dealer worden besteld.

### 6.3 Automatische spoelfunctie

De automatische spoelfuncties zijn ontwikkeld om het verstopping van de leidingen van de vloeistoffen en de verontreiniging van het leidingwater door bijvoorbeeld legionella tegen te gaan.

De automatische spoel functie voor het reinigen van de vloeistofleidingen zal starten na een minimale tijd dat zeep of ontsmettingsmiddel niet in gebruik is. Deze staat standaard ingesteld op 2 weken.

Als zeep en desinfectans niet wordt gebruikt voor 2 weken dan doorloopt het systeem automatisch de volgende spoelcyclus.

- Stap 1: De zeep of desinfectans pomp spoelt voor 30 seconden.
- Stap 2: Koud water spoelt voor 60 seconden.

Opmerking; het is mogelijk om de frequentie van de automatische waterspoelingen ter voorkoming van legionella te verhogen of verlagen. De automatische waterspoeling staat bij levering niet aan. Deze kan worden ingeschakeld door middel van de afstandsbediening. Hierna kan men ook de bovengenoemde frequentie inschakelen. Het is niet mogelijk om de automatische spoelfunctie voor de vloeistoffen 1 en 2 te verwijzen.

### 6.4 Vervangen navullingen

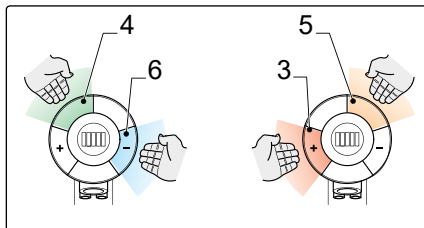
Zodra het systeem geen zeep, lotion of desinfectant meer uitgeeft, dienen de navullingen vervangen te worden. Zie fig. G / H voor de correcte plaatsing van de vloeistof navullingen.

## 6. Reiniging en onderhoud

### 6.5 Doorspoelen vloeistofslangen

Na iedere installatie van de navullingen, dienen de vloeistofslangen doorgespoeld te worden. Na voltooiing van deze procedure zijn de slangen schoon en vrij van luchtballen.

- Druk 1 seconde de LED-schakelaar op de waterbox in. De blauwe LED schakelaar gaat knipperen.
- Om de zeepslang te spoelen: Activeer sectoren 4 en 6 tegelijkertijd. Activeer sector 5 om het doorspoelen te stoppen.
- De lotion of desinfectant slang te spoelen: Activeer sectoren 5 en 3 tegelijkertijd. Activeer sector 4 om het doorspoelen te stoppen.



## 7. Navullingen: veiligheidsinformatie

### Specifiek eind gebruik

Huid en Hand desinfectiemiddel. Het product kan niet worden gebruikt voor andere doeleinden.

### Vorzorgsmaatregelen voor het veilig hanteren

- Desinfectiemiddel is een brandbaar medium zowel als vloeistof of als een damp. Dampen kunnen explosief mengsel vormen met lucht.
- Uit de buurt van hitte, hete oppervlakken, vonken, open vuur en andere ontstekingsbronnen houden. Niet roken.
- Bij gebruik, niet eten, drinken of roken.
- Buiten het bereik van kinderen houden
- Verwijder en was vervuilde kleding vóór hergebruik.
- Dampen of sproeimiddel niet inademen.
- Vermijd contact met ogen.
- Zorg voor voldoende ventilatie, vooral in gesloten ruimten.
- Bijzondere voorzorgen voor de gebruiker: Neem de gebruikelijke voorzorgsmaatregelen bij de omgang met chemicaliën.

### Voorwaarden voor een veilige opslag

- Desinfectans is geclassificeerd als een gevaarlijke stof. Bewaar vloeistoffen volgens de plaatselijke regelgeving voor opslag gevaarlijke stoffen.
- Houd de container goed gesloten op een droge, koele en goed geventileerde plaats.
- Verwijdering van de inhoud / containers in overeenstemming met de plaatselijke en nationale voorschriften. Niet lozen in oppervlaktewater / grondwater.
- Product en lege verpakking bij warmte en ontstekingsbronnen vandaan houden.
- Uit de buurt houden van voedsel, drank en diervoer.
- Niet combineerbaar met oxidatiemiddelen.

## 7. Navullingen: veiligheidsinformatie

### Eerste hulp maatregelen

#### Belangrijkste symptomen en effecten, acute en vertraagde

- Veroorzaakt ernstige oogirritatie.
- Kan slaperigheid of duizeligheid veroorzaken.
- Vervuilde, doordrenkte kleding onmiddellijk van het lichaam verwijderen.
- Als u zich niet goed voelt, een arts raadplegen.

#### Na het inademen

- Zoek frisse lucht op, in het geval van per ongeluk inademen van dampen.
- In het geval van klachten zoek direct medische behandeling.

#### Na contact met de ogen

- Onmiddellijk afspoelen met veel water, ook onder de oogleden, minstens gedurende 15 minuten. Contactlenzen verwijderen, indien aanwezig.
- Indien de oogirritatie blijft, een specialist raadplegen.

#### Na inname

- Onmiddellijk veel water geven (indien mogelijk houtskoolbrij).
- Neem direct contact op met een arts.
- Braken opwekken alleen op advies van een arts.



## 8. Technische gegevens

De in de onderstaande tabel genoemde productspecificaties zijn getest en gecertificeerd.

### PRODUCTSPECIFICATIES

Parameter	Waarde
Spanning	24 V <sub>DC</sub>
Voedingsspanning	100 ~ 240 V <sub>AC</sub> / 50 ~ 60 Hz
Operationele waterdruk	0,5 - 8 bar
max. Watertemperatuur	70 °C
Behuizing rating van PCB componenten	IP 55
Gewicht kraan (incl. slangen en kabel)	Standaard model: 1,0 kg Klein model: 0,9 kg Wand model: 0,9 kg
Gewicht Waterbox (incl. slangen)	1,75 kg
Gewicht Zeepbox (excl. navullingen )	0,95 kg

### STANDAARDINSTELLINGEN

Parameter	Waarde
Reactietijd van de waterstroom / stop	1 s
Dosering van zeep	1 ml
Dosering van lotion of desinfectant	3 ml
Automatische spoelcyclus	2 Weken

### TRANSPORT EN OPSLAG

Parameter	Waarde
Transport gewicht	Standaard model: 6,8 kg Klein model: 6,7 kg Wand model: 6,7 kg
Afmetingen verpakking	47 cm x 30 cm x 20 cm
Opslag temperatuur	10 - 50 °C

### AFMETINGEN

Component	Illustratie
Kraan model: standaard	Fig. J1
Kraan model: klein	Fig. J2
Kraan model: wand	Fig. J3
Zeepbox	Fig. J4 / J5
Waterbox	Fig. J6

## 8. Technische gegevens

### 8.1 Elektrische test gegevens

Beoordeeld shock spanning: 2000 V

De test voor de elektromagnetische compatibiliteit (interferentie emissie-test) werd uitgevoerd met de nominale spanning en de nominale stroom.

### 8.2 Elektrische specificaties

Aansluiting	Wandcontactdoos met beschermde geleider door een 10 A zekering.
Max. Stroomverbruik	36 W
Standby-vermogen dissipatie	< 3.0 W
Test van de klep	16 bar
Flow bij 3 bar waterdruk. Tap (leidingwater)	6 L / min
Omgevingstemperatuur	10 - 40 °C temperatuur
Warm water inlaatfitting	70 °C
Aanbevolen (energiebesparing)	60 °C
Wateraansluiting fitting koud	Koud - blauw, warm - rood

### 8.3 Certificaten en conformiteit



Conformiteitsverklaring  
EU-Richtlijnen 93/68/EEC, 98/83/EC, 2006/95/EC, 89/336/EEC

Michiel Ubink, Algemeen Directeur van miscea GmbH, hoofdkantoor in Hauptstraße 2, 14979 Großbeeren, Duitsland verklaart hierbij dat de multifunctionele kraan product familie, onder de merknaam miscea bekend, is ontworpen en vervaardigd in overeenstemming met EU-richtlijnen (93/68/EEG, 98/83 / EG, 2006/95 / EG, 89/336 / EEG van de Raad ) En volgens de Europese normen.

Model nummers:

CCR1S1NCDE	CCR2S2NCEN	CER2S1NCEN	CER3S2NCFR	LCR1S12NBDE
CCR1S1NCEN	CCR2S2NCFR	CER2S1NCFR	KCR4S1NC	LCR1S12NCDE
CCR1S1NCFR	CCR3S1NCDE	CER2S2NCDE	KCR4S1NC0	LCR3S0NC
CCR1S2NCDE	CER1S1NCDE	CER2S2NCEN	KCR4S2NC	LCR3S11NCDE
CCR1S2NCEN	CER1S1NCEN	CER2S2NCFR	KCR4S2NC0	LCR3S11NCEN
CCR1S2NCFR	CER1S1NCFR	CER3S1NCDE	LCR1S0NB	LCR3S12NCDE
CCR2S1NCDE	CER1S2NCDE	CER3S1NCEN	LCR1S0NC	LER1S11NCDE
CCR2S1NCEN	CER1S2NCEN	CER3S1NCFR	LCR1S11NBEN	
CCR2S1NCFR	CER1S2NCFR	CER3S2NCDE	LCR1S11NCDE	
CCR2S2NCDE	CER2S1NCDE	CER3S2NCEN	LCR1S11NCEN	

## 8. Technische gegevens

Toegepaste normen:

- EN 15091: 2013
- EN 60335-1: 2012
- EN 61000-6-1: 2007 and EN 61000-6-3: 2011
- EN 1717: 2011
- EN ISO 3822: 2010

Alle miscea armaturen zijn gecertificeerd volgens DVGW en WRAS richtlijnen en voldoen dus aan de bovengenoemde normen.



Duitsland, Januari, 2017.

A handwritten signature in black ink, appearing to read 'M. Ubink', written over a faint circular stamp or watermark.

Michiel Ubink  
Algemeen Directeur

De verklaringen van overeenstemming kunnen worden aangevraagd op het volgende adres:  
miscea GmbH | Hauptstr. 2, D-14979 Grossbeeren, Duitsland

## 9. Garantie en informatie

### 9.1 Garantie

De garantietermijn bedraagt 2 jaar vanaf de datum die vermeld staat op het aankoopbewijs. Indien uw systeem reparatie vereist, neem dan contact op met een miscea dealer in uw land/regio.

### 9.2 Garantievoorwaarden

De garantietermijn komt te vervallen indien u één van de onderstaande activiteiten uitvoert:

- De waterbox openen of het garantiezegel van de waterbox verbreken.
- De kraan op een watertoevoer zonder filter aansluiten.
- De aansluitingen voor de flexibele vloeistofslangen van de zeepbox verwisselen, repareren of vervangen.
- De kraan met schuurmiddelen, sterke zuren of bleekproducten reinigen.
- De kraan, waterbox of de zeepbox zelf repareren.

Daarnaast verwijst miscea met betrekking tot de van toepassing zijnde garantievoorwaarden naar de algemene miscea Verkoop- en Leveringsvoorwaarden.

### 9.3 Contactgegevens

Indien u vragen heeft over het aanschaffen van onze producten, dan wel over het gebruik of installatie hiervan: verwijzen wij u naar onze website [www.miscea.com](http://www.miscea.com).

### 9.4 Bijgewerkte uitgaven van de handleiding

Wij werken deze handleiding regelmatig bij. Indien u de meest recente versie van deze handleiding wilt ontvangen, kunt u deze downloaden via [www.miscea.com](http://www.miscea.com) of een verzoek tot verzending hiervan mailen naar [info@miscea.com](mailto:info@miscea.com).

### 9.5 Milieu en recycling

De miscea CLASSIC is een elektrisch apparaat waarvoor terugkeer en aflossingsverplichtingen van toepassing zijn in vele landen. miscea is betrokken bij de terugkeer van de systemen naar Duitsland.



Uw miscea product is ontworpen en gefabriceerd met behulp van hoogwaardige materialen en componenten die geschikt zijn voor recycling en / of hergebruik. Dit symbool betekent dat elektrische en elektronische apparaten zoals batterijen en accu's afzonderlijk moet worden afgevoerd uit huishoudelijk afval aan het einde van hun levensduur.

### Service

Om problemen op te lossen, volgt u de tabel fout / oorzaak / oplossing. In het geval van onderhoudswerkzaamheden aan het systeem, moet de elektrische voeding eerst worden uitgeschakeld!

Als het probleem niet opgelost kan worden, moet de elektrische voeding los gemaakt worden. Schrijf het serienummer van de waterbox op de bovenkant van het apparaat op en neem contact op met miscea via e-mail op [berlin@miscea.com](mailto:berlin@miscea.com).

De onderstaande tabel geeft nuttige tips en oplossingen voor het oplossen van de derde generatie miscea CLASSIC Systemen evenals scenario's voor mogelijke hardware- en softwareproblemen.

### Voordat u contact opneemt met de technische dienst van miscea

Als u problemen heeft met uw derde generatie miscea CLASSIC System probeer de juiste onderstaande oplossingen om het exacte probleem te isoleren voordat u miscea GmbH voor verdere technische ondersteuning contacteert.

1. Controleer of het systeem is aangesloten op een werkend stopcontact en ingeschakeld.
2. Controleer of het systeem is aangesloten op de waterleiding en de watertoevoer is ingeschakeld
3. Controleer of de navullingen met daarin de vloeibare handzeep producten zijn geïnstalleerd en niet leeg zijn.
4. Controleer alle kabels en leiding aansluitingen op losse verbindingen of verkeerde verbindingen.

### Algemene problemen oplossen

De algemene problemen die in dit gedeelte worden beschreven zijn eenvoudig op te lossen. Als er een probleem blijft bestaan en u niet in staat bent om het te verhelpen, of als u het liever niet zelf doet, neem dan contact op met miscea via [berlin@miscea.com](mailto:berlin@miscea.com) voor technische ondersteuning.

#### WATER GERELATEERDE PROBLEMEN

Probleem	Mogelijk probleem of oorzaak	Oplossing
• Het water blijft stromen	De "emmermodus" werd per ongeluk geactiveerd.	Wanneer de "continue waterstand" is geactiveerd, zal het systeem automatisch stoppen met het afgeven van water na 10 min. Om de "continue waterstand" handmatig te stoppen, activeer de zeep of desinfectant sector.
	Er is een probleem met de elektromagnetische klep.	Ontkoppel het miscea systeem van het stopcontact. Sluit na 10 seconden het miscea systeem aan de elektrische voeding. Dit moet het systeem resetten en eventuele kleine systeem problemen oplossen. Als het probleem blijft bestaan, neem dan contact op met miscea GmbH voor verdere technische hulp.

## 10. Service

### WATER GERELATEERDE PROBLEMEN

Probleem	Mogelijk probleem of oorzaak	Oplossing
<ul style="list-style-type: none"><li>De kraan geeft geen heet water.</li><li>De kraan geeft geen koud water.</li><li>Temperatuurverstelling werkt niet.</li></ul>	<p>Communicatie onderbreking tussen de motor en Cartridge componenten.</p> <p>LET OP: Controleer of het miscea systeem aangesloten is op warm en koud water. Als het miscea systeem alleen op koud water is aangesloten dan is het niet mogelijk om warm water te krijgen.</p>	<p>Ontkoppel het miscea systeem van het stopcontact. Sluit na 10 seconden het miscea systeem op de elektrische voeding. Dit moet het systeem resetten en eventuele kleine systeem problemen oplossen. Als het probleem blijft bestaan, neem dan contact op met miscea GmbH voor verdere technische hulp.</p>
De kraan geeft geen water.	<p>Het systeem is niet aangesloten op een werkend stopcontact.</p> <p>De elektrische voeding is niet ingesteld om te openen.</p> <p>De watertoevoer is afgesloten.</p>	<p>Controleer of het systeem is aangesloten op een werkend stopcontact en is ingeschakeld.</p> <p>Controleer of de watertoevoer is geopend.</p> <p>Controleer alle kabels en leiding aansluitingen op losse verbindingen of verkeerde verbindingen. Zie de relevant pagina van de handleiding voor de juiste installatieprocedure.</p>
	Een probleem met één of meer van de componenten in de waterbox.	Ontkoppel het miscea systeem van het stopcontact. Sluit na 10 seconden het miscea systeem op de elektrische voeding. Dit moet het systeem resetten en eventuele kleine systeem problemen oplossen. Als het probleem blijft bestaan, neem dan contact op met miscea GmbH voor verdere technische hulp.
De kraan lekt / druppelt water.	Tijdens de installatie, wird de waterleiding niet grondig genoeg gespoeld voor de installatie, dit heeft geleid tot vuildeeltjes in de systeem met als gevolg problemen met de onderdelen in de systeem.	Spoel de kraan met behulp van de "emmermodus" of door continu activeren van de water sector door gedurende 1 minuut. Ontkoppel het miscea systeem van het stopcontact. Sluit na 10 seconden het miscea systeem opnieuw aan op de elektrische voeding. Dit moet het systeem resetten en eventuele kleine systeem problemen oplossen. Als het probleem blijft bestaan, neem dan contact op met miscea GmbH voor verdere technische hulp.

## 10. Service

### WATER GERELATEERDE PROBLEMEN

Probleem	Mogelijk probleem of oorzaak	Oplossing
<ul style="list-style-type: none"><li>De kraan geeft uit zichzelf water.</li></ul>	<p>De sensor in de sector is vuil. Probleem met de sensoren in de kraan.</p> <p>Mogelijke omgevingsfactoren zoals fel licht of super reflectieve oppervlakken die de sensoren activeren</p>	<p>Zet de kraan uit en reinig de sensor in de ring sector met een vochtige doek.</p> <p>Ontkoppel het miscea systeem van het stopcontact. Sluit na 10 seconden het miscea systeem op de elektrische voeding. Dit moet het systeem resetten en eventuele kleine systeem problemen oplossen.</p> <p>Als het probleem blijft bestaan, neem dan contact op met miscea GmbH voor verdere technische hulp.</p>
<ul style="list-style-type: none"><li>De waterbox maakt veel geluid.</li></ul>	<p>Het systeem is aan het kalibreren.</p> <p>Probleem met sensoren in de kraan.</p>	<p>Als dit slechts eenmaal per dag gebeurt, dan is het heel normaal. Als het meer dan één keer per dag gebeurt.</p> <p>Ontkoppel dan het miscea systeem van het stopcontact. Sluit na 10 seconden het miscea systeem op de elektrische voeding. Dit moet het systeem resetten en eventuele kleine systeem problemen oplossen.</p> <p>Als het probleem blijft bestaan, neem dan contact op met miscea GmbH voor verdere technische hulp</p>
<ul style="list-style-type: none"><li>Er komt slechts een kleine hoeveelheid water uit de kraan</li></ul>	<p>De hoofdwaterleiding staat niet helemaal open.</p> <p>De stopkraantjes staan niet voldoende open.</p>	<p>Controleer of de hoofdwaterleiding open staat. Controleer of de stopkraantjes open staan.</p> <p>Als het probleem blijft bestaan, neem dan contact op met miscea GmbH voor verdere technische hulp.</p>

## 10. Service

### ZEEP/DESINFECTANT/LOTION GERELATEERDE PROBLEMEN

Probleem	Mogelijk probleem of oorzaak	Oplossing
<ul style="list-style-type: none"><li>De kraan geeft geen of op een onregelmatige manier zeep en/of desinfectans af</li></ul>	<p>Het systeem is niet aangesloten op een werkend stopcontact.</p> <p>De kabels en slangen zijn mogelijk niet correct aangesloten.</p>	<p>Controleer of het systeem is aangesloten op een werkend stopcontact en is ingeschakeld.</p>
<ul style="list-style-type: none"><li>De zeep / desinfectans/ lotion geeft af met spetters.</li></ul>	<p>De zeep en desinfectans navullingen zijn mogelijk niet correct vastgezet.</p> <p>De zeep en desinfectant sectoren zijn niet doorgespoeld, of de vloeistof slangen bevatten lucht.</p> <p>De vloeistof uitlaat is verstopt.</p>	<p>Controleer alle kabels en leiding aansluitingen op losse verbindingen of verkeerde verbindingen. Zie de relevant pagina van de handleiding voor de juiste installatieprocedure.</p> <p>Controleer of zeep / desinfectans / lotion navullingen goed vast zitten. Raadpleeg de handleiding.</p> <p>Spoel / Ontlucht de zeep / desinfectant / lotion. Zie de relevant pagina van de handleiding voor de juiste installatieprocedure.</p> <p>Zet het systeem uit en reinig de vloeistof uitlaat met een vochtige doek. Als het probleem blijft bestaan, neem dan contact op met miscea GmbH voor verdere technische hulp.</p>
	<p>Mogelijk probleem met pomp componenten in zeepbox.</p> <p>Zeep / desinfectant / Lotion slangen zijn verstopt / beschadigd</p>	<p>Ontkoppel dan het miscea systeem van het stopcontact. Sluit na 10 seconden het miscea systeem op de elektrische voeding. Dit moet het systeem resetten en eventuele kleine systeem problemen oplossen.</p> <p>Als het probleem blijft bestaan, neem dan contact op met miscea GmbH voor verdere technische hulp.</p>
<ul style="list-style-type: none"><li>Er komt te weinig zeep en/of desinfectans uit de kraan</li></ul>	<p>De af te geven hoeveelheid vloeistof is niet goed ingesteld.</p>	<p>U kunt dit aanpassen door middel van de afstandsbediening.</p> <p>Als het probleem blijft bestaan, neem dan contact op met miscea GmbH voor verdere technische hulp.</p>
<ul style="list-style-type: none"><li>Er komt te veel zeep en/of desinfectans uit de kraan</li></ul>		



## 10. Service

### ANDERE PROBLEMEN

Probleem	Mogelijk probleem of oorzaak	Oplossing
<ul style="list-style-type: none"><li>• Temperatuur display geeft geen licht.</li></ul>	LED lichten beschadigd.	Ontkoppel dan het miscea systeem van het stopcontact. Sluit na 10 seconden het miscea systeem op de elektrische voeding. Dit moet het systeem resetten en eventuele kleine systeem problemen oplossen. Als het probleem blijft bestaan, neem dan contact op met miscea GmbH voor verdere technische hulp.
<ul style="list-style-type: none"><li>• Kraan reageert niet voor een langere tijd of periode.</li></ul>	Het systeem is niet aangesloten op een werkend stopcontact.  Mogelijk probleem met de elektronica in de waterbox en kraan.	Controleer of het systeem is aangesloten op een werkend stopcontact en is ingeschakeld.  Ontkoppel dan het miscea systeem van het stopcontact. Sluit na 10 seconden het miscea systeem op de elektrische voeding. Dit moet het systeem resetten en eventuele kleine systeem problemen oplossen. Als het probleem blijft bestaan, neem dan contact op met miscea GmbH voor verdere technische hulp.
<ul style="list-style-type: none"><li>• Een sector brand niet goed wanneer geactiveerd.</li></ul>	De sector is vuil.  De LED van de sector is gebroken.	Ontkoppel dan het miscea systeem van het stopcontact. Sluit na 10 seconden het miscea systeem op de elektrische voeding. Dit moet het systeem resetten en eventuele kleine systeem problemen oplossen. Als het probleem blijft bestaan, neem dan contact op met miscea GmbH voor verdere technische hulp.
<ul style="list-style-type: none"><li>• De kraan reageert niet op de afstandsbediening.</li></ul>	De afstandsbediening wordt niet in de juiste positie gehouden voor een correcte werking.	Zorg ervoor dat de afstandsbediening is de juiste positie gehouden wordt ten opzicht van het display op de kraan. De gegevens hiervoor zijn te vinden in de gebruiksaanwijzing.







miscea GmbH  
Hauptstraße 2  
14979 Großbeeren  
Germany  
W: [www.miscea.com](http://www.miscea.com)  
E: [info@miscea.com](mailto:info@miscea.com)